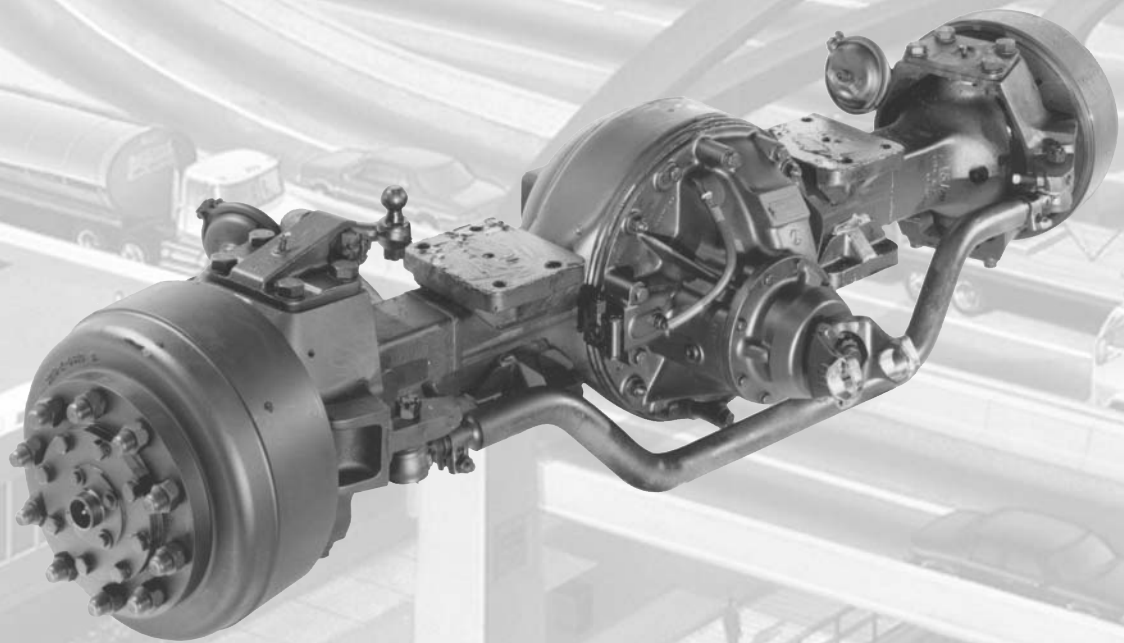


Front Drive Steering Axle Parts

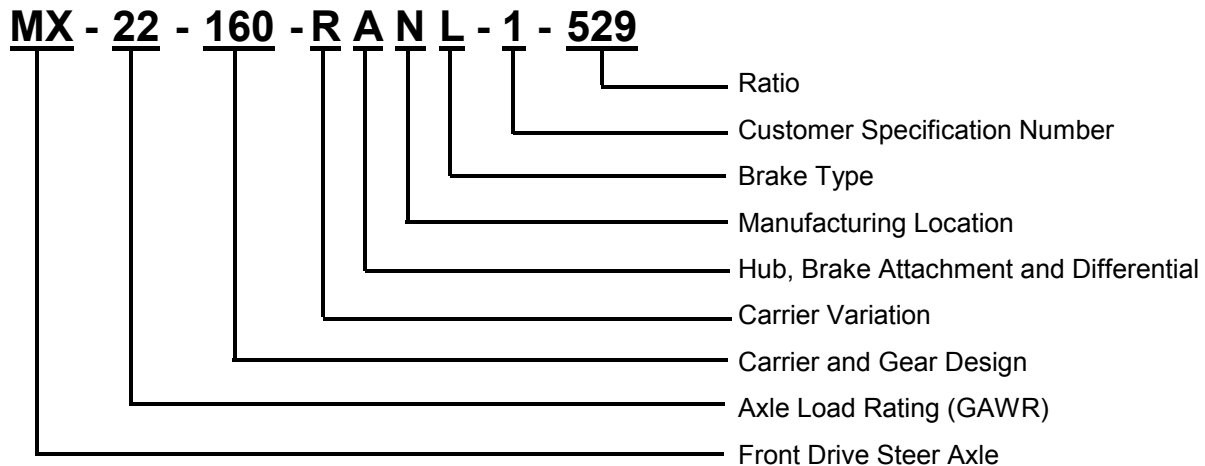
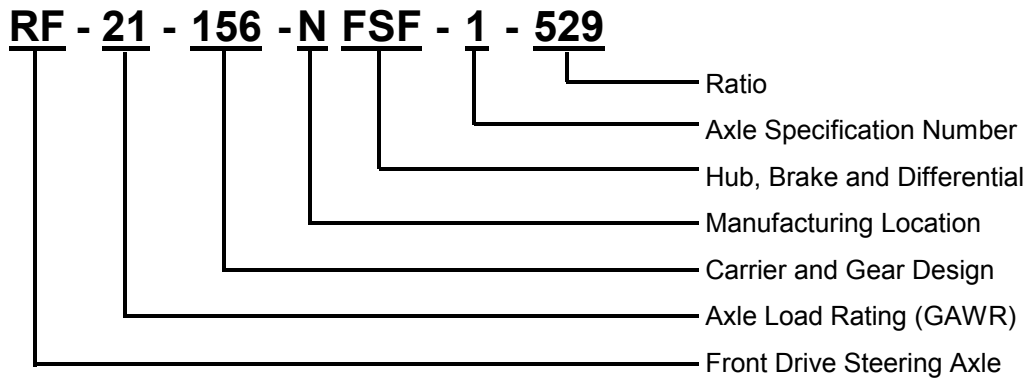
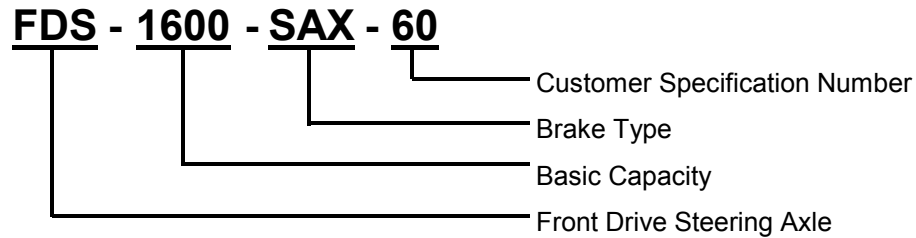
Catalog PB-9151



Strength • Power • Speed • Agility

HOW TO USE THIS CATALOG

This catalog lists major component part numbers by individual axle spec number. To find a part number, you must know the spec number of the axle. Below is an explanation of the axle spec numbers for Meritor FDS, RF and MX series axles.



This catalog is organized in four sections. Each section covers a group of similar axles and includes:

- An exploded view illustration and a component description and part number list.
- An axle model reference chart, organized by axle spec number, which uses code numbers to guide you to the correct line in each of the part number charts.
- A series of charts which list the part numbers of the major components.

EXAMPLE: The FDS-75 illustration and component list (Figure 1) are on pages 2-5. The FDS-75 Axle Model Reference Chart on page 6 lists the specs covered in this catalog. The first spec is FDS-75-CHX-2. If you need a part of the cross tube assembly for the CHX-2 spec, the chart indicates you should go to page 10 and find line 1-U2. Line 1-U2 on page 10 lists the individual part numbers of the assembly and matches the parts to the item numbers in Figure 1.

NOTE: For more information, contact Meritor Information Services Department, 7975 Dixie Highway, Florence, KY 41042 (888-725-9355).

TABLE OF CONTENTS

	Page
SECTION 1: FDS-75, FDS-90, RF-7 and RF-12	
Illustration.....	2
Component Part Numbers & Descriptions.....	3
Axle Model Reference Charts.....	6
Carriers.....	7
Wheel Seals and Bearings.....	8
Shaft/Yoke/Joint Assemblies.....	9
Crosstube Assemblies.....	10
Knuckles and Related Parts.....	10
Drum Brakes and Related Parts.....	12
Disc Brakes and Related Parts.....	13
SECTION 2: FDS-1600	
Illustration.....	14
Component Part Numbers & Descriptions.....	15
Axle Model Reference Charts.....	17
Shaft/Yoke/Joint Assemblies.....	18
Crosstube Assemblies.....	18
Knuckles and Related Parts.....	18
Drum Brakes and Related Parts.....	20
Wheel Seals and Bearings.....	20
Carriers.....	21
SECTION 3: FDS-1800 Series and FDS-2100 Series	
Illustration.....	22
Component Part Numbers & Descriptions.....	23
Axle Model Reference Charts.....	26
Shaft/Yoke/Joint Assemblies.....	31
Crosstube Assemblies.....	31
Knuckles and Related Parts.....	31
Drum Brakes and Related Parts.....	35
Wheel Seals and Bearings.....	38
Carriers.....	39
SECTION 4: MX, RF-16, RF-21, RF-22 and RF-23	
Illustration.....	44
Component Part Numbers & Descriptions.....	45
Axle Model Reference Charts.....	47
Shaft/Yoke/Joint Assemblies.....	50
Crosstube Assemblies.....	51
Wheel Seals and Bearings.....	51
Knuckles and Related Parts.....	51
Drum Brakes and Related Parts.....	55
Carriers.....	56
SECTION 5: Supercession List.....	59
SECTION 6: Numerical Parts List.....	61

FDS-75, FDS-90, RF-7, RF-12

1

FDS-1600

2

FDS-1800 Series, FDS-2100 Series

3

MX, RF-16, RF-21, RF-23

4

Supercession List

5

Numerical Parts List

6

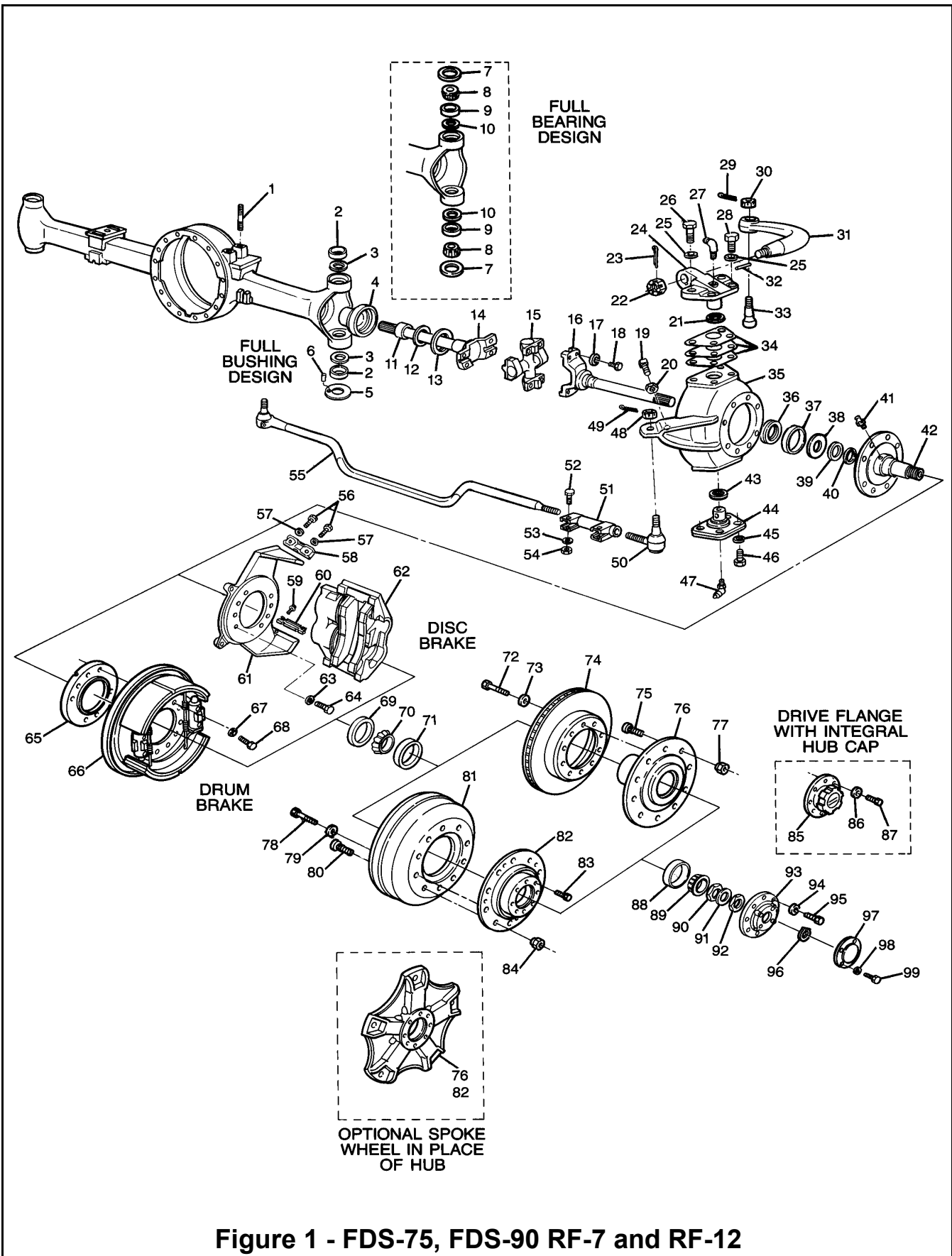


Figure 1 - FDS-75, FDS-90 RF-7 and RF-12

FIGURE 1
FDS-75, FDS-90, RF-7 and RF-12

Item	Description	Part Number	Comments
1	Stud	4-X-1617	5/8"-18 x 3.47"
		4-X-1680	5/8"-18 x 4.22"
2	Bushing	1225-Q-979	
3	Expansion Plug	1250-R-486	
4	Adapter	3268-H-1126	Not needed for all specs
5	Thrustwasher	1229-Z-2938	
6	Pin	1246-E-655	
7	Seal	A-1205-B-1042	
8	Cone	M-86649	
9	Cup	M-86610	
10	Expansion Plug	1250-F-318	
11	Bushing	1225-N-690	FDS-75 Full bearing design
		1225-K-817	All others
12	Washer	1229-B-2940	FDS-75, FDS-90, RF-7 and RF-12 Full bushing design
		1229-M-2223	FDS-75 Full bearing design
		1229-K-2481	FDS-90 Full bearing design
13	Oil Seal	A-1205-D-1044	FDS-75 Full bearing design
		A-1805-R-694	All others
14	Shaft/Yoke - Carrier Side	See Page 9	
15	Cross/U-Joint	See Page 10	
16	Shaft/Yoke - Wheel Side	See Page 9	
17	Washer	Not sold separately	Included with Item 15
18	Capscrew	Not sold separately	Included with Item 15
19	Setscrew	26-X-227	
20	Nut	N-39-1	
21	Grease Seal	1205-G-1801	
22	Nut	14-X-3	
		1227-X-1610	
23	Cotter Pin	K-2616	
24	Upper Adapter/Cap	See Pages 10-11	
25	Washer	1229-U-1503	1.06" O.D.
		1229-V-1504	1.25" O.D.
26	Capscrew	S-21216A-2	2" Length
		S-21218A-2	2.25" Length
		15-X-1595	2.50" Length
27	Grease Fitting	1199-B-3226	
28	Capscrew	15-X-1594	1.88" Length
		S-21216A-2	2" Length
		15-X-1237	2.50" Length
29	Cotter Pin	K-2412	
30	Nut	1227-F-240	
31	Steering Arm	See Pages 10-11	
32	Key	16-X-202	
33	Steering Arm Ball	See Pages 10-11	
34	Shims	2203-U-5559	.66" Diameter holes, .003" thickness
		2203-V-5560	.66" Diameter holes, .005" thickness
		2203-W-5561	.66" Diameter holes, .010" thickness
		2203-R-6076	2.50" I.D., .78" diameter holes, .003" thickness
		2203-S-6077	2.50" I.D., .78" diameter holes, .005" thickness
		2203-T-6078	2.50" I.D., .78" diameter holes, .010" thickness

FDS-75, FDS-90, RF-7 and RF-12 (Continued)

Item	Description	Part Number	Comments
34	Shims (cont)	2203-E-8195	3.24" I.D., .78" diameter holes, .003" thickness
		2203-F-8196	3.24" I.D., .78" diameter holes, .005" thickness
		2203-G-8197	3.24" I.D., .78" diameter holes, .010" thickness
35	Knuckle	See Pages 10-11	
36	Oil Seal	A-1205-V-1062	2.687" Housing diameter bore
		A-1205-T-1424	3.660" Housing diameter bore
37	Oil Seal Wiper	1199-E-2917	For A-1205-V-1062 seal
		3280-T-6650	For A-1205-T-1424 seal
38	Thrustwasher	1229-K-2481	
39	Felt Retainer	1205-E-1435	1.88" I.D., 2.192" O.D.
		1205-N-1184	1.75" I.D., 2.065" O.D.
40	Felt	5-X-797	1.78" I.D., 2.12" O.D.
		5-X-712	1.61" I.D., 2.00" O.D.
41	Grease Fitting	1199-T-2854	
42	Spindle Assembly	See Pages 10-11	
43	Grease Seal	1205-G-1801	
44	Lower Cap	See Pages 10-11	
45	Washer	1229-U-1503	
46	Capscrew	S-21014A-2	5/8"-11 x 1-3/4"
47	Grease Fitting	1199-B-3226	
48	Nut (Included with Item 50)	N-512-1	3/4"-16, 1-1/8" across flats
49	Cotter Pin (Included w/Item 50)	K-2614	1-3/4" Length
50	Tie Rod Assembly	See Page 10	
51	Clamp Assembly	See Page 10	
52	Capscrew	S-1818-2	
53	Lockwasher	WA-18	
54	Nut	N-18-1	
55	Crosstube with one Tie Rod End	See Page 10	
56	Capscrew	S-266-2	
57	Washer	1229-K-1597	
58	Retainer	69160478	
59	Capscrew	69310775	
60	Caliper Slide Pin	69420736	RH
		69420737	LH
61	Torque Plate	See Page 13	
62	Caliper Assembly	See Page 13	
63	Washer	1229-U-1503	
64	Capscrew	S-21016-2	5/8"-11 x 2"
		S-21022-2	5/8"-11 x 2.75"
65	Adapter/Slinger	See Page 12	
66	Brake Assembly	See Page 12-13	
67	Washer	1229-U-1503	
68	Capscrew	S-21026-2	
69	Oil Seal	See Page 8	
70	Inner Bearing Cone	See Page 8	
71	Inner Bearing Cup	See Page 8	
72	Capscrew	10-X-1340	9/16"-12 x 2.06" Use with spoke wheel
		10-X-1345	9/16"-12 x 2.50" Use with hub
73	Washer	1229-B-3148	
74	Rotor	See Page 13	

FDS-75, FDS-90, RF-7 and RF-12 (Continued)

Item	Description	Part Number	Comments
75	Stud	4-X-1770	3/4"-10 x 3" Headless, use with spoke wheel
		20-X-2167	3/4"-16 x 2.38" LH, Headed stud w/serrations
		20-X-2168	3/4"-16 x 2.38" RH, Headed stud w/serrations
		20-X-2033	3/4"-16 x 2.50" LH, Headed stud w/serrations
		20-X-2034	3/4"-16 x 2.50" RH, Headed stud w/serrations
		20-X-2035	3/4"-16 x 2.91" LH, Headed stud w/serrations
		20-X-2036	3/4"-16 x 2.91" RH, Headed stud w/serrations
76	Wheel/Hub	See Page 13	
77	Nut	1199-G-111	LH, 3/4"-16
		1199-H-112	RH, 3/4"-16
78	Capscrew	10-X-1340	
79	Washer	1229-B-3148	
80	Wheel Stud	20-X-209	3/4"-16 x 2.38" LH
		20-X-208	3/4"-16 x 2.38" RH
		20-X-405Z	3/4"-16 x 2.81" LH, Zinc plated
		20-X-404Z	3/4"-16 x 2.81" RH, Zinc plated
		20-X-407Z	3/4"-16 x 3.03" LH, Zinc plated
		20-X-406Z	3/4"-16 x 3.03" RH, Zinc plated
		81	Brake Drum
82	Wheel/Hub	See Page 12	
83	Countersunk Screw	S-7810S	
84	Nut	1199-G-111	LH, 3/4"-16
		1199-H-112	RH, 3/4"-16
85	Locking Hub Flange	See Pages 12-13	
86	Washer	1229-E-1513	
87	Capscrew	S-2710-2	
88	Outer Bearing Cup	See Page 8	
89	Outer Bearing Cone	See Page 8	
90	Nut	1227-U-515	3.50" Hex (3121 housing series)
		1227-F-162	2.875" Hex (3201 housing series)
91	Lockwasher	1229-C-1459	3.75" O.D. with holes (3121 housing series)
		1229-S-721	3.31" O.D. without holes (3201 housing series)
92	Nut	1227-D-446	3.50" Hex (3121 housing series)
		1227-F-162	2.875" Hex (3201 housing series)
93	Flange	See Pages 12-13	
94	Washer	1229-E-1513	.8125" O.D.
		1229-C-1511	.88" O.D.
95	Capscrew	S-2710-2	7/16"-14 x 1.25"
		S-2712-2	7/16"-14 x 1.50"
		S-2718-2	7/16"-14 x 2.25"
		S-2811-2	1/2"-13 x 1.38"
		S-2812-2	1/2"-13 x 1.50"
		15-X-523C	1/2"-13 x 1.75"
		S-2826-2	1/2"-13 x 3.25"
96	Snap Ring	1229-Z-1118	
97	Flange Cap	See Pages 12-13	
98	Washer	1229-V-1998	.40" I.D., Flat washer
		1229-K-1597 *	.41" I.D., Flat washer
		WA-16	.39" I.D., Spring type lockwasher
99	Capscrew	S-166-2	3/8"-24 Thread
		S-266-2 *	3/8"-16 Thread

* Use with 3270-C-1043 flange and 3262-L-1052 flange cap.

AXLE MODEL REFERENCE CHARTS

FDS-75

Axle Model Number FDS-75-	Shaft/ Yoke/Joint Assembly Pg 9	Crosstube Assembly Pg 10	Knuckle and Related Parts Pg 10-11	Brake and Related Parts Pg 12-13	Wheel End Bearings and Seals Pg 8
CHX-2	1-J5	1-U2	1-K6	1-C1	1-G2
CHX-3	1-J6	1-U2	1-K7	1-C1	1-G2
CHX-8	1-J7	1-U3	1-K18	1-C6	1-G2
CHX-9	1-J7	1-U3	1-K8	1-C2	1-G2
CHX-10	1-J7	1-U3	1-K8	1-C3	1-G2
CHX-17	1-J7	1-U3	1-K8	1-C2	1-G2
CHX-18	1-J7	1-U3	1-K8	1-C3	1-G2
CHX-24	1-J7	1-U3	1-K18	1-C4	1-G2
HDX-75	1-J1	1-U1	1-K1	1-B1	1-G1
HDX-80	1-J1	1-U1	1-K2	1-B2	1-G1
HDX-81	1-J1	1-U1	1-K2	1-B2	1-G1
HDX-82	1-J1	1-U1	1-K2	1-B2	1-G1
HDX-92	1-J1	1-U1	1-K2	1-B2	1-G1
HDX-99	1-J2	1-U1	1-K1	1-B1	1-G1
HDX-100	1-J2	1-U1	1-K2	1-B2	1-G1
HDX-107	1-J3	1-U3	1-K3	1-B2	1-G1
HDX-111	1-J3	1-U3	1-K4	1-B2	1-G1
HDX-115	1-J3	1-U3	1-K5	1-B3	1-G1
HDX-119	1-J4	1-U1	1-K9	1-B4	1-G2
HDX-133	1-J5	1-U2	1-K10	1-B4	1-G2
NX-30	1-J5	1-U2	1-K19	1-B13	1-G2
NX-34	1-J8	1-U1	1-K20	1-B13	1-G2

FDS-90

Axle Model Number FDS-90-	Shaft/ Yoke/Joint Assembly Pg 9	Crosstube Assembly Pg 10	Knuckle and Related Parts Pg 11	Brake and Related Parts Pg 12-13	Wheel End Bearings and Seals Pg 8
CHX-2	1-J12	1-U2	1-K14	1-C4	1-G2
CHX-3	1-J14	1-U5	1-K15	1-C5	1-G2
NX-2	1-J15	1-U1	1-K21	1-B13	1-G2
RSAX-1	1-J9	1-U1	1-K11	1-B5	1-G2
RSAX-4	1-J9	1-U1	1-K11	1-B5	1-G2
RSAX-7	1-J10	1-U1	1-K11	1-B5	1-G2
RSAX-9	1-J10	1-U1	1-K11	1-B5	1-G2
RSAX-10	1-J10	1-U1	1-K11	1-B5	1-G2
RSAX-11	1-J13	1-U4	1-K16	1-B6	1-G2
RSAX-12	1-J11	1-U1	1-K13	1-B7	1-G2
RSAX-13	1-J11	1-U1	1-K16	1-B7	1-G2
RSAX-17	1-J12	1-U2	1-K17	1-B8	1-G2
RSAX-28	1-J12	1-U2	1-K22	1-B14	1-G3
RSHX-3	1-J9	1-U1	1-K12	1-B9	1-G2
RSHX-6	1-J9	1-U1	1-K11	1-B10	1-G2
RSHX-12	1-J10	1-U1	1-K11	1-B11	1-G2
RSHX-14	1-J13	1-U4	1-K16	1-B12	1-G2

AXLE MODEL REFERENCE CHARTS (Continued)

RF-7

Axle Model Number RF-7-	Shaft/ Yoke/Joint Assembly Pg 9	Crosstube Assembly Pg 10	Knuckle and Related Parts Pg 11	Brake and Related Parts Pg 13	Wheel End Bearings and Seals Pg 8
120-NFHF-1	1-J17	1-U6	1-K25	1-C7	1-G2
120-NFHF-2	1-J17	1-U6	1-K26	1-C8	1-G2
120-NFHF-4	1-J17	1-U6	1-K26	1-C8	1-G2

RF-12

Axle Model Number RF-12-	Shaft/ Yoke/Joint Assembly Pg 9	Crosstube Assembly Pg 10	Knuckle and Related Parts Pg 11	Brake and Related Parts Pg 12-13	Wheel End Bearings and Seals Pg 8
120-NFBF-6	1-J16	1-U7	1-K28	1-C9	1-G3
120-NFBF-11	1-J18	1-U7	1-K27	1-C9	1-G3
120-NFSF-3	1-J16	1-U4	1-K24	1-B16	1-G3
125-NFSF-2	1-J16	1-U4	1-K23	1-B15	1-G3

CARRIERS

FDS-75, FDS-90, RF-7 and RF-12

Axle Model Number	Carrier Assembly (Less Yoke)	Axle Ratios
FDS-75-CHX-2	H57-3200-R-1110 (1)	7.80
FDS-75-CHX-3	H-3200-R-1110	7.80
FDS-75-CHX-8	H55-3200-R-1110	4.88, 5.29, 5.57, 6.14, 7.20
FDS-75-CHX-9	H55-3200-R-1110	5.29, 5.83, 6.83, 7.20
FDS-75-CHX10	H55-3200-R-1110	4.63, 5.29, 5.83, 6.83, 7.20
FDS-75-CHX-17	H55-3200-R-1110	5.29, 5.83, 6.14, 6.83, 7.20
FDS-75-CHX-18	H55-3200-R-1110	5.29, 5.83, 6.14, 6.83, 7.20
FDS-75-CHX-24	H55-3200-R-1110	6.14, 7.20
FDS-75-HDX-75	H-3200-R-1110	6.80
FDS-75-HDX-80	H-3200-R-1110	6.80
FDS-75-HDX-81	H-3200-R-1110	6.80
FDS-75-HDX-82	H-3200-R-1110	6.80
FDS-75-HDX-92	H-3200-R-1110	6.80, 6.83, 7.17
FDS-75-HDX-99	H-3200-R-1110	6.80
FDS-75-HDX-100	H-3200-R-1110	6.83
FDS-75-HDX-107	H55-3200-R-1110	6.20, 6.80, 7.20
FDS-75-HDX-111	H-3200-R-1110	7.20
FDS-75-HDX-115	H-3200-R-1110	6.14, 6.83
FDS-75-HDX-119	H-3200-R-1110	6.80
FDS-75-HDX-133	H-3200-R-1110	7.20
FDS-75-NX-30	H-3200-R-1110	7.20
FDS-75-NX-34	H-3200-R-1110	7.17
FDS-90-CHX-2	H84-3200-R-1110	7.80
FDS-90-CHX-3	H-3200-R-1110	4.63
FDS-90-NX-2	H-3200-R-1110	7.17

(1) No less yoke version currently available.

CARRIERS

FDS-75, FDS-90, RF-7 and RF-12 (Continued)

Axle Model Number	Carrier Assembly (Less Yoke)	Axle Ratios
FDS-90-RSAX-1	H-3200-R-1110	6.20, 7.20
FDS-90-RSAX-4	H-3200-R-1110	6.20, 7.20
FDS-90-RSAX-7	H-3200-R-1110	5.83, 6.20, 7.20
FDS-90-RSAX-9	H-3200-R-1110	6.14, 7.17
FDS-90-RSAX-10	H-3200-R-1110	6.20
FDS-90-RSAX-11	H55-3200-R-1110	4.63
FDS-90-RSAX-12	H-3200-R-1110	6.14, 7.17
FDS-90-RSAX-13	H-3200-R-1110	6.20
FDS-90-RSAX-17	H-3200-R-1110	5.29, 6.14
FDS-90-RSAX-28	H-3200-R-1110	7.17
FDS-90-RSHX-3	H-3200-R-1110	7.20
FDS-90-RSHX-6	H-3200-R-1110	6.20
FDS-90-RSHX-12	H55-3200-R-1110	6.20
FDS-90-RSHX-14	H55-3200-R-1110	4.63
RF-7-120-NFHF-1	A34-3200-F-1488	6.83
RF-7-120-NFHF-2	A34-3200-F-1488	6.83
RF-7-120-NFHF-4	A34-3200-F-1488	3.31, 4.10, 4.56, 5.13
RF-12-120-NFBF-6	A34-3200-F-1488	3.73, 4.56, 4.88
RF-12-120-NFBF-11	A34-3200-F-1488	6.83
RF-12-120-NFSF-3	A34-3200-F-1488	4.10, 4.30, 4.56, 4.88, 5.29
RF-12-125-NFSF-2	A53-3200-P-1498 (1)	5.29

(1) No less yoke version currently available.

WHEEL SEALS AND BEARINGS

FDS-75, FDS-90, RF-7 and RF12

Ref	Inner Bearing Cup (71, Fig 1)	Inner Bearing Cone (70, Fig 1)	Outer Bearing Cup (88, Fig 1)	Outer Bearing Cone (89, Fig 1)	Oil Seal (69, Fig 1)
1-G1	39520	39590	382-A	387	A1205-Y-1091
1-G2	JM-612910	JM-612949	JLM-710910	JLM-710949-C	A1205-Y-1091
1-G3	JM-612910	JM-612949	JLM-710910	JLM-710949-C	A1205-J-2220

SHAFT/YOKE/JOINT ASSEMBLIES

FDS-75, FDS-90, RF-7 and RF-12

Ref	LH/ RH	Shaft/Yoke/Joint Assembly (14-18, Fig 1)	Shaft/Yoke - Carrier Side (14, Fig 1)	Shaft/Yoke - Wheel Side (16, Fig 1)	Cross/U-Joint (15, Fig 1)	
1-J1	LH	A1-3202-M-4485	58WBYSM28-121 (2)	58WBYSM25-2 (2)	CP58WB-DWT	
	RH	A1-3202-N-4486 (2)	58WBYSM28-122 (2)			
1-J2	LH	A3202-E-7935	58WBYSM28-191 (2)			
	RH	A3202-D-7934	58WBYSM28-192 (2)			
1-J3	LH	A3202-G-7963	58WBYSM28-196 (2)			
	RH	A3202-H-7964 (2)	58WBYSM28-195 (2)			
1-J4	LH	A3202-A-8009 (2)	58WBYSM28-203 (2)			58WBYSM28-200 (2)
	RH	A3202-C-8011 (2)	58WBYSM28-205 (2)			
1-J5	LH	A3202-D-8012 (2)	58WBYSM28-206 (2)			
	RH	A3202-B-8010 (2)	58WBYSM28-204 (2)			
1-J6	LH	A3202-B-8010 (2)	58WBYSM28-204 (2)			
	RH	A3202-D-8012 (2)	58WBYSM28-206 (2)			
1-J7	LH	A3202-Z-8008 (2)	58WBYSM28-202 (2)			
	RH	A3202-X-8006 (2)	58WBYSM28-201 (2)			
1-J8	LH	A3202-C-8011 (2)	58WBYSM28-205 (2)	750NYSM28-112	CP750N1	
	RH	A3202-A-8009 (2)	58WBYSM28-203 (2)			
1-J9	LH	A3202-A-7203 (2)	750NYSM28-110 (2)			
	RH	A3202-Z-7202	750NYSM28-111 (2)			
1-J10	LH	A3202-Y-7929	750NYSM28-147			
	RH	A3202-X-7928	750NYSM28-146			
1-J11	LH	A3202-F-8014	750NYSM28-149			
	RH	A3202-E-8013	750NYSM28-150			
1-J12	LH	A3202-K-8123	750NYSM28-153			
	RH	A3202-J-8122	750NYSM28-154			
1-J13	LH	A3202-J-8018	750NYSM28-152			
	RH	A3202-H-8016	750NYSM28-151			
1-J14	LH	A3202-X-8994 (2)	750NYSM28-177			
	RH	A3202-Y-8995	750NYSM28-176			
1-J15	LH	A3202-X-7928	750NYSM28-146			
	RH	A3202-Y-7929	750NYSM28-147			
1-J16	LH	A3202-S-9431	750NYSM28-196			
	RH	A3202-W-9435	750NYSM28-200			
1-J17	LH	A3202-E-9443	58WBYSM28-230	58WBYSM28-200 (2)	CP58WB-DWT	
	RH	A3202-Z-9438 (2)	58WBYSM28-225			
1-J18	LH	A3202-X-9436	750NYSM28-199	750NYSM28-112	CP750N1	
	RH	A3202-T-9432	750NYSM28-197 (2)			

(2) No longer available, no replacement.

CROSSTUBE ASSEMBLIES

FDS-75, FDS-90, RF-7 and RF-12

Ref	Crosstube Assembly (50-55, Fig 1)	Tie Rod End (50, Fig 1)	Clamp Assembly (51, Fig 1)	Crosstube with one Tie Rod End (55, Fig 1)
1-U1	A1-3102-T-3400	A3144-U-385 (1"-16 Thd. Tube End)	A2249-D-4	A3102-T-3400
1-U2	A1-3102-E-3437			A3102-E-3437
1-U3	A1-3102-C-4215			A3102-C-4215
1-U4	A1-3102-J-4222			A3102-J-4222
1-U5	A1-3102-G-4297			A3102-G-4297
1-U6	A1-3102-N-4434	A3144-D-1070	A3144-E-1071	A3102-N-4434 (3)
1-U7	A1-3102-M-4433			A3102-M-4433 (3)

KNUCKLES AND RELATED PARTS

FDS-75, FDS-90, RF-7 and RF-12

Ref	LH/ RH	Knuckle (35, Fig 1)	Steering Arm (31, Fig 1)	Upper Adapter/Cap (24, Fig 1)	Steering Arm Ball (33, Fig 1)	Lower Cap (44, Fig 1)	Spindle Assembly (42, Fig 1)
1-K1	LH	3111-Y-2339 (2)	3133-R-4646 (2)	3280-P-4800 (2)	-	2297-M-2041 (2)	A3111-X-1922
	RH	3111-X-2338 (2)	-	3280-Q-4801	-	2297-M-2041 (2)	A3111-X-1922
1-K2	LH	3111-Y-2339 (2)	3133-U-7405K (2)	3280-P-4800 (2)	-	2297-M-2041 (2)	A3111-X-1922
	RH	3111-X-2338 (2)	-	3280-Q-4801	-	2297-M-2041 (2)	A3111-X-1922
1-K3	LH	3111-Y-2339 (2)	3133-V-4364 (2)	3280-P-4800 (2)	-	2297-M-2041 (2)	A3111-X-1922
	RH	3111-X-2338 (2)	3133-D-5360 (2)	3280-Q-4801	-	2297-M-2041 (2)	A3111-X-1922
1-K4	LH	3111-Y-2339 (2)	3133-J-4924K (2)	3280-P-4800 (2)	-	2297-M-2041 (2)	A3111-X-1922
	RH	3111-X-2338 (2)	-	3280-Q-4801	-	2297-M-2041 (2)	A3111-X-1922
1-K5	LH	3111-X-2546 (2)	3133-U-7405K (2)	3280-U-5351	-	2297-M-2041 (2)	A3111-X-1922
	RH	3111-X-2338 (2)	-	2297-M-2041	-	2297-M-2041 (2)	A3111-X-1922
1-K6	LH	3111-W-2623	3133-Y-5875K (2)	3268-K-1129	-	3262-F-370	A3213-J-1258
	RH	3111-X-2624	3133-J-5886 (2)	3268-K-1129	-	3262-F-370	A3213-J-1258
1-K7	LH	3111-W-2623	-	3268-U-1243	-	3262-F-370	A3213-J-1258
	RH	3111-X-2624	3133-Y-5875K (2)	3268-K-1129	-	3262-F-370	A3213-J-1258
1-K8	LH	3111-W-2623	3133-U-7405K (2)	3268-K-1129	-	3262-F-370	A3213-J-1258
	RH	3111-X-2624	-	3268-U-1243	-	3262-F-370	A3213-J-1258
1-K9	LH	3111-W-2623	3133-R-4646 (2)	3268-K-1129	-	3262-F-370	A3213-E-993
	RH	3111-X-2624	-	3268-U-1243	-	3262-F-370	A3213-E-993
1-K10	LH	3111-W-2623	-	3268-U-1243	-	3262-F-370	A3213-E-993
	RH	3111-D-2552 (2)	-	3268-L-1130	-	3262-F-370	A3213-E-993

(2) No longer available with no replacement.

(3) Tube and clamp only.

KNUCKLES AND RELATED PARTS (Continued)

FDS-75, FDS-90, RF-7 and RF-12

Ref	LH/ RH	Knuckle (35, Fig 1)	Steering Arm (31, Fig 1)	Upper Adapter/Cap (24, Fig 1)	Steering Arm Ball (33, Fig 1)	Lower Cap (44, Fig 1)	Spindle Assembly (42, Fig 1)
1-K11	LH	3111-S-2333 (2)	3133-V-4364 (2)	3280-U-5351 (2)	-	2297-G-2477 (2)	A3213-W-621
	RH	3111-T-2334 (2)	-	3280-T-5350 (2)	-	2297-G-2477 (2)	A3213-W-621
1-K12	LH	3111-S-2333 (2)	-	2297-G-2477	-	2297-G-2477 (2)	A3213-W-621
	RH	3111-T-2334 (2)	-	2297-G-2477	-	2297-G-2477 (2)	A3213-W-621
1-K13	LH	3111-C-2551	3133-G-7625	3268-K-1129	-	3262-F-370	A3213-W-621
	RH	3111-D-2552 (2)	-	3268-U-1243	-	3262-F-370	A3213-W-621
1-K14	LH	3111-W-2623	-	3268-U-1243	-	3262-F-370	A3213-W-621
	RH	3111-X-2624	3133-R-4256 (2)	3268-L-1130	2110-A-1	3262-F-370	A3213-W-621
1-K15	LH	3111-W-2623	3133-U-7405K (2)	3268-K-1129	2110-A-1	3262-F-370	A3213-K-1467
	RH	3111-X-2624	-	3268-U-1243	-	3262-F-370	A3213-K-1467
1-K16	LH	3111-W-2623	3133-V-4364 (2)	3268-K-1129	-	3262-F-370	A3213-W-621
	RH	3111-X-2624	-	3268-U-1243	-	3262-F-370	A3213-W-621
1-K17	LH	3111-W-2623	3133-J-4924K	3268-K-1129	-	3262-F-370	A3213-W-621
	RH	3111-X-2624	-	3268-U-1243	-	3262-F-370	A3213-W-621
1-K18	LH	3111-W-2623	3133-V-4364 (2)	3268-K-1129	-	3262-F-370	A3213-J-1258
	RH	3111-X-2624	-	3268-U-1243	-	3262-F-370	A3213-J-1258
1-K19	LH	3111-W-2623	3133-R-4256 (2)	3268-U-1243	-	3262-F-370	A3213-E-993
	RH	3111-X-2624	-	3268-L-1130	-	3262-F-370	A3213-E-993
1-K20	LH	3111-W-2623	-	3268-L-1130	-	3262-F-370	A3213-E-993
	RH	3111-X-2624	-	3268-K-1129	-	3262-F-370	A3213-E-993
1-K21	LH	3111-W-2623	-	3268-L-1130	-	3262-F-370	A3213-W-621
	RH	3111-X-2624	-	3268-K-1129	-	3262-F-370	A3213-W-621
1-K22	LH	3111-W-2623	3133-G-7625	3268-K-1129	2110-A-1	3262-F-370	A3213-W-621
	RH	3111-X-2624	-	3268-U-1243	-	3262-F-370	A3213-W-621
1-K23	LH	3111-V-3090	3133-L-6876K (2)	3268-E-1409	-	3262-F-370	A3213-T-1606
	RH	3111-W-3091	-	3268-U-1243	-	3262-F-370	A3213-T-1606
1-K24	LH	3111-V-3090	3133-J-7212	3268-E-1409	-	3262-F-370	A3213-T-1606
	RH	3111-W-3091	-	3268-U-1243	-	3262-F-370	A3213-T-1606
1-K25	LH	3111-H-3466	3133-U-7405K (2)	3268-K-1129	-	3262-F-370	A3213-J-1258
	RH	3111-J-3468	-	3268-U-1243	-	3262-F-370	A3213-J-1258
1-K26	LH	3111-H-3466	3133-U-7405K (2)	3268-K-1129	-	3262-F-370	A3213-S-1605
	RH	3111-J-3468	-	3268-U-1243	-	3262-F-370	A3213-S-1605
1-K27	LH	3111-H-3466	3133-J-7212	3268-E-1409	-	3262-F-370	A3213-T-1606
	RH	3111-J-3468	3133-J-7212	3268-E-1409	-	3262-F-370	A3213-T-1606
1-K28	LH	3111-H-3466	3133-L-6876K (2)	3268-E-1409	-	3262-F-370	A3213-T-1606
	RH	3111-J-3468	-	3268-U-1243	-	3262-F-370	A3213-T-1606

(2) No longer available with no replacement.

DRUM BRAKES AND RELATED PARTS

FDS-75, FDS-90, RF-7 and RF-12

Ref	LH/ RH	Brake Assembly (66, Fig 1)	Adapter/ Slinger (65, Fig 1)	Wheel/ Hub (82, Fig 1)	Brake Drum (81, Fig 1)	Flange (85, 93 Fig 1)	Flange Cap (97, Fig 1)
1-B1	LH	A3236-K-1935	3286-L-272 (2)	A333-N-1756	3219-T-3322	3270-R-96	3262-V-100
	RH	A3236-J-1934	3286-L-272 (2)	A333-N-1756	3219-T-3322	3270-R-96	3262-V-100
1-B2	LH	A3236-V-2258 (2)	3286-L-272 (2)	A333-N-1756	3219-T-3322	3270-R-96	3262-V-100
	RH	A3236-U-2257 (2)	3286-L-272 (2)	A333-N-1756	3219-T-3322	3270-R-96	3262-V-100
1-B3	LH	A3236-Y-1715 (2)	3286-L-272 (2)	A333-N-1756	3219-T-3322	A3270-M-195 (4)	-
	RH	A3236-X-1714	3286-L-272 (2)	A333-N-1756	3219-T-3322	A3270-M-195 (4)	-
1-B4	LH	A3236-V-2258 (2)	3286-A-547 (2)	A333-F-4114	3219-T-3322	3270-C-1043	3262-L-1052
	RH	A3236-U-2257 (2)	3286-A-547 (2)	A333-F-4114	3219-T-3322	3270-C-1043	3262-L-1052
1-B5	LH	RSA1540-397	3268-G-865 (2)	A333-C-2707 (6)	3219-G-3829	3270-C-133 (2)	3262-V-100
	RH	RSA1540-398	3268-G-865 (2)	A333-C-2707 (7)	3219-G-3829	3270-C-133 (2)	3262-V-100
1-B6	LH	RSA1540-397	3268-G-865 (2)	A333-B-4110 (18)	3219-G-3829	3270-C-1043	3262-L-1052
	RH	RSA1540-398	3268-G-865 (2)	A333-B-4110 (18)	3219-G-3829	3270-C-1043	3262-L-1052
1-B7	LH	RSA1540-397	3268-G-865 (2)	A333-B-4110 (18)	3219-G-3829	3270-C-1043	3262-L-1052
	RH	RSA1540-398	3268-G-865 (2)	A333-B-4110 (18)	3219-G-3829	3270-C-1043	3262-L-1052
1-B8	LH	RSA1540-397	3268-G-865 (2)	311-U-489 (2) (5)	3219-K-4691(2)	3270-C-1043	3262-L-1052
	RH	RSA1540-398	3268-G-865 (2)	311-U-489 (2) (5)	3219-K-4691(2)	3270-C-1043	3262-L-1052
1-B9	LH	RSH-1540-227	3268-G-865 (2)	A333-C-2707 (6)	3219-G-3829	3270-C-133 (2)	3262-V-100
	RH	RSH-1540-227	3268-G-865 (2)	A333-C-2707 (7)	3219-G-3829	3270-C-133 (2)	3262-V-100
1-B10	LH	RSH-1540-245	3268-G-865 (2)	A333-C-2707 (6)	3219-G-3829	3270-C-133 (2)	3262-V-100
	RH	RSH-1540-245	3268-G-865 (2)	A333-C-2707 (7)	3219-G-3829	3270-C-133 (2)	3262-V-100
1-B11	LH	RSH-1540-393	3268-G-865 (2)	A333-C-2707 (6)	3219-G-3829	3270-C-133 (2)	3262-V-100
	RH	RSH-1540-393	3268-G-865 (2)	A333-C-2707 (7)	3219-G-3829	3270-C-133 (2)	3262-V-100
1-B12	LH	RSH-1540-393	3268-G-865 (2)	A333-B-4110 (18)	3219-G-3829	3270-C-1043	3262-L-1052
	RH	RSH-1540-393	3268-G-865 (2)	A333-B-4110 (18)	3219-G-3829	3270-C-1043	3262-L-1052
1-B13	LH	-	-	A333-F-4114	-	3270-C-1043	3262-L-1052
	RH	-	-	A333-F-4114	-	3270-C-1043	3262-L-1052
1-B14	LH	RSA1540-405	3268-G-865 (2)	A333-B-4110	3219-K-4691(2)	3270-C-1043	3262-L-1052
	RH	RSA1540-406	3268-G-865 (2)	A333-B-4110	3219-K-4691(2)	3270-C-1043	3262-L-1052
1-B15	LH	RSA1540-373	-	A333-B-4110	3219-K-4691(2)	3270-C-1043	3262-L-1052
	RH	RSA1540-374	-	A333-B-4110	3219-K-4691(2)	3270-C-1043	3262-L-1052
1-B16	LH	RSA1540-373	-	A333-B-4110	B3219-K-4691 (2)	3270-C-1043	3262-L-1052
	RH	RSA1540-374	-	A333-B-4110	B3219-K-4691 (2)	3270-C-1043	3262-L-1052

(2) No longer available with no replacement.

(4) Flange assembly A3270-M-195 (85, Fig 1) includes locking hub.

(5) Wheel

(6) Replaced by KIT 9307 which includes L.H. hub and drum assembly, flange and seal.

(7) Replaced by KIT 9308 which includes R.H. hub and drum assembly, flange and seal.

(18) Wheel studs should also be updated. Contact Florence Information Services with original axle specification number (1-888-725-9355).

DISC BRAKES AND RELATED PARTS

FDS-75 and FDS-90

Ref	LH/ RH	Torque Plate (61, Fig 1)	Caliper Assembly (62, Fig 1)	Wheel/ Hub (76, Fig 1)	Rotor (74, Fig 1)	Flange (85, 93 Fig 1)	Flange Cap (97, Fig 1)
1-C1	LH	3215-B-1068	60450450	311-U-489 (2) (5)	3218-C-237	3270-C-1043	3262-L-1052
	RH	3215-C-1069	60450450	311-U-489 (2) (5)	3218-C-237	3270-C-1043	3262-L-1052
1-C2	LH	3215-B-1068	60450450	333-T-3114	3218-E-265	A333-S-4127 (8)	-
	RH	3215-C-1069	60450450	333-T-3114	3218-E-265	A333-S-4127 (8)	-
1-C3	LH	3215-B-1068	60450450	333-T-3114	3218-E-265	3270-C-1043	3262-L-1052
	RH	3215-C-1069	60450450	333-T-3114	3218-E-265	3270-C-1043	3262-L-1052
1-C4	LH	3215-B-1068	60450450	333-A-3121	3218-C-237	3270-C-1043	3262-L-1052
	RH	3215-C-1069	60450450	333-A-3121	3218-C-237	3270-C-1043	3262-L-1052
1-C5	LH	3215-B-1068	60450450	333-A-3121	3218-C-237	3270-M-1027	3262-Q-1005
	RH	3215-C-1069	60450450	333-A-3121	3218-C-237	3270-M-1027	3262-Q-1005
1-C6	LH	3215-B-1068	60450450	A333-B-4110	3218-C-237	3270-C-1043	3262-L-1052
	RH	3215-C-1069	60450450	A333-B-4110	3218-C-237	3270-C-1043	3262-L-1052
1-C7	LH	3215-B-1068	60450450	A333-G-4245	3218-C-237	A333-S-4127 (8)	3262-L-1052
	RH	3215-C-1069	60450450	A333-G-4245	3218-C-237	A333-S-4127 (8)	3262-L-1052
1-C8	LH	3215-B-1068	60450450	A333-G-4245	3218-C-237	3270-C-1043	3262-L-1052
	RH	3215-C-1069	60450450	A333-G-4245	3218-C-237	3270-C-1043	3262-L-1052
1-C9	LH	3215-B-1068	60450450	A333-B-4110	3218-C-237	3270-C-1043	3262-L-1052
	RH	3215-C-1069	60450450	A333-B-4110	3218-C-237	3270-C-1043	3262-L-1052

(2) No longer available with no replacement.

(5) Wheel

(8) Assembly A333-S-4127 (85, Fig 1) includes locking hub.

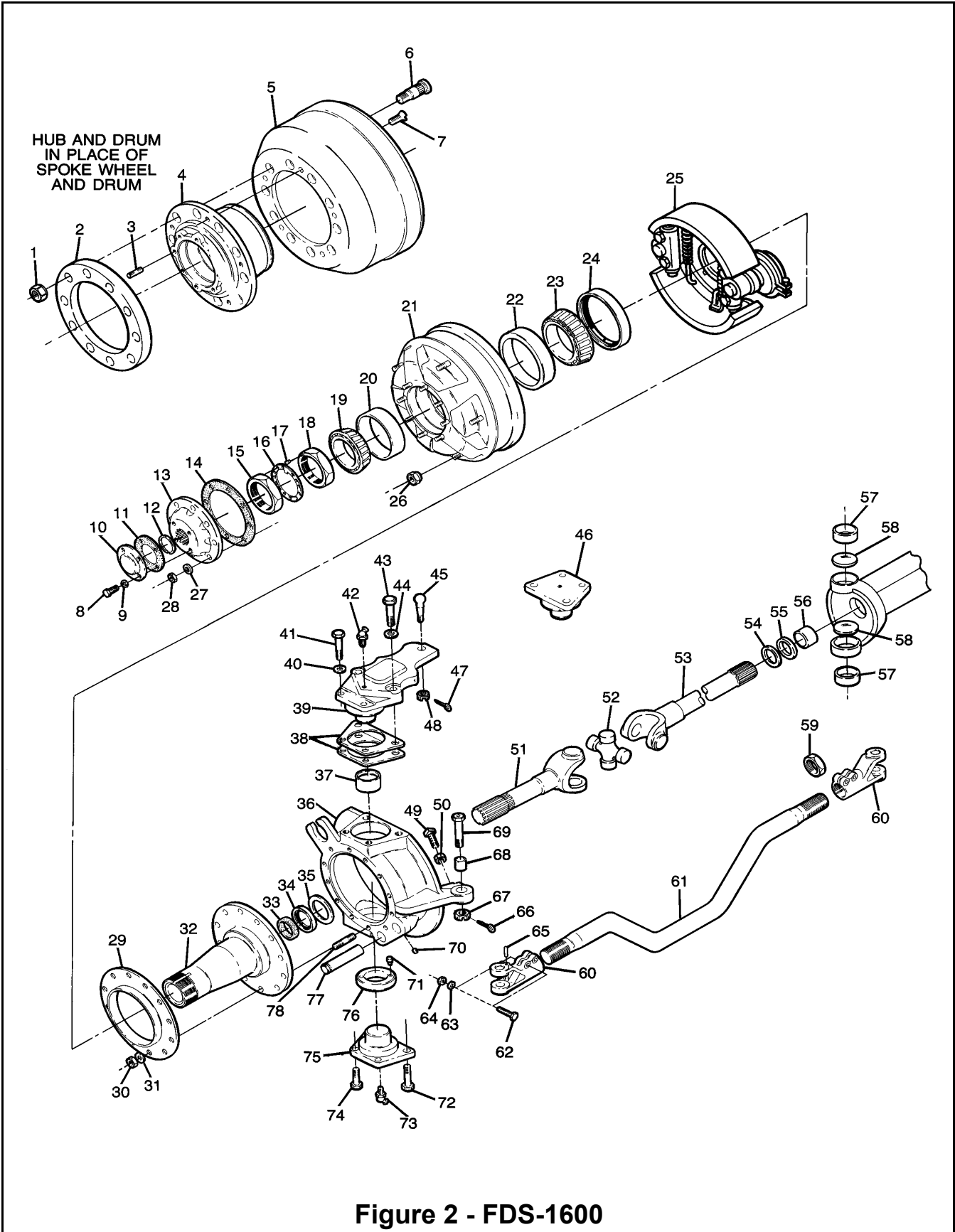


FIGURE 2

FDS-1600

Item	Description	Part Number	Comments
1	Nut	1199-M-117	LH, 1-1/8"-16
		1199-N-118	RH, 1-1/8"-16
2	Wheel Spacer	3280-L-5940	
3	Stud	SC-1021-1	
4	Hub	See Page 20	
5	Brake Drum	See Page 20	
6	Wheel Stud	20-X-1281	LH, 1-1/8"-16 x 3.15"
		20-X-1280	RH, 1-1/8"-16 x 3.15"
		20-X-1326	LH, 1-1/8"-16 x 3.97"
		20-X-1325	RH, 1-1/8"-16 x 3.97"
		20-X-747	LH, 1-1/8"-16 x 3.15" Use with .31" to .75" thick wheels
		20-X-746	RH, 1-1/8"-16 x 3.15" Use with .31" to .75" thick wheels
7	Screw	10-X-951	
8	Capscrew	S-166-2	
9	Washer	1229-K-1597	.41" I.D. Flat washer
		WA-16	.39" I.D. Spring type lockwasher
10	Hub Cap	See Page 20	
11	Shim	2203-A-4967	
12	Snap Ring	1229-C-2057	
13	Flange	See Page 20	
14	Gasket	2208-X-440	
15	Nut	1227-W-699	
16	Washer	1229-Z-2106	
17	Dowel	1246-F-500	
18	Nut	A-1227-X-752	
19	Outer Bearing Cone	See Page 20	
20	Outer Bearing Cup	See Page 20	
21	Wheel/Drum Assembly	See Page 20	
22	Inner Bearing Cup	See Page 20	
23	Inner Bearing Cone	See Page 20	
24	Oil Seal	See Page 20	
25	Brake Assembly	See Page 20	
26	Nut		Not used on models in this book
27	Lockwasher	WA-110	
28	Nut	N-110-1	
29	Adapter/Slinger	See Page 20	
30	Nut	NL-19-1	
31	Washer	1229-Y-1507	.0938" Thickness
		1229-X-1558	.12" Thickness
32	Spindle Assembly	See Pages 18-19	
33	Felt	5-X-702	
34	Oil Seal	A-1805-S-539	
		A-1805-A-573	
35	Washer	1229-B-2108	
36	Knuckle	See Pages 18-19	
37	Bushing	1825-D-212	
38	Shim	2803-V-1894	.003" Thickness
		2803-W-1895	.005" Thickness
		2803-X-1896	.010" Thickness

FDS-1600 (Continued)

Item	Description	Part Number	Comments
39	Steering Arm	See Pages 18-19	
40	Washer	1229-M-1625	
41	Capscrew - Outer	S-21217-2	3/4"-10 x 2.12"
42	Grease Fitting	1898-X-518	45° angle
		1199-B-3226	65° angle
43	Capscrew - Inner	S-11416-2	7/8"-14 x 2"
		S-11422-2	7/8"-14 x 2.75"
44	Washer	1229-V-1504	
45	Steering Arm Ball	See Pages 18-19	
46	Upper Cap	See Pages 18-19	
47	Cotter Pin	K-2412	
48	Nut	NL-212-1	
49	Stopscrew	26-X-146	2.50" Length
		26-X-163	2.01" Length
50	Stopscrew Jam Nut	14-X-22	.875" hex, Use with 26-X-163
		N-410-1	.625" hex, Use with 26-X-146
51	Shaft/Yoke - Wheel Side	See Page 18	
52	Cross/U-Joint	See Page 18	
53	Shaft/Yoke - Carrier Side	See Page 18	
54	Washer	1229-B-2108	
55	Oil Seal	A-1805-S-539	
		A-1805-A-573	
56	Bushing	1825-Y-259	
57	Bushing	1225-K-1051	
58	Expansion Plug	1850-G-137	
59	Nut	See Page 18	
60	Crosstube End	See Page 18	
61	Crosstube	See Page 18	
62	Capscrew	S-1822-2	
63	Lockwasher	WA-18	
64	Nut	N-18-1	
65	Pin	1246-L-272	
66	Cotter Pin	K-2412	
67	Nut	1827-J-88	
68	Bushing	1825-C-159	
69	Bolt	10-X-1682	
70	Setscrew	26-X-236	
71	Pin	1246-E-31	
72	Capscrew	S-11416-2	
73	Grease Fitting	1199-B-3226	
74	Capscrew	S-21217-2	
75	Lower Cap	See Pages 18-19	
76	Thrustwasher	A-1829-J-790	
77	Anchor Pin	1859-T-98	
78	Stud	SN-919-1	

AXLE MODEL REFERENCE CHARTS

FDS-1600

Axle Model Number FDS-1600-	Shaft/ Yoke/Joint Assembly Pg 18	Crosstube Assembly Pg 18	Knuckle and Related Parts Pg 18-19	Brake and Related Parts Pg 20	Wheel End Bearings and Seals Pg 20
SAX-60	2-J1	2-U1	2-K7	2-B4	2-G1
SAX-61	2-J1	2-U1	2-K8	2-B4	2-G1
SAX-63	2-J1	2-U1	2-K9	2-B4	2-G1
SAX-65	2-J1	2-U1	2-K12	2-B4	2-G1
SAX-76	2-J1	2-U1	2-K15	2-B4	2-G1
SAX-78	2-J1	2-U1	2-K16	2-B4	2-G1
SAX-85	2-J1	2-U1	2-K4	2-B4	2-G1
SAX-91	2-J1	2-U1	2-K10	2-B4	2-G1
SAX-102	2-J1	2-U1	2-K17	2-B4	2-G1
SAX-114	2-J1	2-U1	2-K17	2-B4	2-G1
SAX-115	2-J1	2-U3	2-K5	2-B4	2-G1
SAX-124	2-J1	2-U2	2-K7	2-B4	2-G1
SAX-135	2-J1	2-U1	2-K14	2-B4	2-G1
SAX-139	2-J1	2-U1	2-K13	2-B4	2-G1
SAX-140	2-J1	2-U1	2-K2	2-B4	2-G1
SAX-141	2-J1	2-U1	2-K6	2-B1	2-G1
SAX-146	2-J1	2-U3	2-K5	2-B4	2-G1
SAX-149	2-J1	2-U1	2-K18	2-B1	2-G1
SAX-154	2-J1	2-U1	2-K1	2-B2	2-G1
SAX-155	2-J1	2-U1	2-K2	2-B4	2-G1
SAX-162	2-J1	2-U1	2-K11	2-B4	2-G1
SAX-163	2-J1	2-U1	2-K12	2-B4	2-G1
SAX-164	2-J1	2-U1	2-K4	2-B4	2-G1
SAX-167	2-J1	2-U1	2-K13	2-B4	2-G1
SAX-169	2-J1	2-U2	2-K12	2-B4	2-G1
SAX-174	2-J1	2-U1	2-K14	2-B4	2-G1
SAX-180	2-J1	2-U1	2-K3	2-B4	2-G1
SAX-183	2-J1	2-U1	2-K5	2-B3	2-G1
SAX-184	2-J1	2-U1	2-K13	2-B4	2-G1
SAX-185	2-J1	2-U1	2-K3	2-B4	2-G1
SAX-188	2-J1	2-U1	2-K4	2-B4	2-G1
SAX-195	2-J1	2-U1	2-K13	2-B4	2-G1
SAX-201	2-J1	2-U1	2-K13	2-B4	2-G1
SAX-215	2-J1	2-U1	2-K13	2-B4	2-G1

SHAFT/YOKE/JOINT ASSEMBLIES

FDS-1600

Ref	LH/ RH	Shaft/Yoke/Joint Assembly (51-53, Fig 2)	Shaft/Yoke - Carrier Side (53, Fig 2)	Shaft/Yoke - Wheel Side (51, Fig 2)	Cross/U-Joint (52, Fig 2)
2-J1	LH/RH	A3202-N-5916	850NYSM30-25	850NYSM32-18	CP850N4

CROSSTUBE ASSEMBLIES

FDS-1600

Ref	Crosstube and End Assembly (59-61, Fig 2)	Crosstube (9) (61, Fig 2)	Crosstube (9) End - LH or RH (60, Fig 2)	Crosstube (9) End - LH or RH (60, Fig 2)
2-U1	A3102-R-3268	3102-R-3268	3944-H-8 (1-3/4"-12 Threads)	3944-B-28 (1-3/4"-16 Threads)
2-U2	A3902-D-212 (2)	3902-D-212 (2)		
2-U3	A3902-B-210 (2)	3902-B-210 (2)	3144-H-528 (1-3/4"-12 Threads)	3144-J-530 (1-3/4"-16 Threads)

(2) No longer available with no replacement.

(9) Crosstube is symmetrical except for different threads at each end.

KNUCKLES AND RELATED PARTS

FDS-1600

Ref	LH/ RH	Knuckle (36, Fig 2)	Steering Arm (39, Fig 2)	Upper Cap (46, Fig 2)	Steering Arm Ball (45, Fig 2)	Lower Cap (75, Fig 2)	Spindle Assembly (32, Fig 2)
2-K1	LH	A1-3111-U-1529	A3133-P-4046 (2)	-	-	3866-J-816	A3111-R-1526
	RH	A1-3111-V-1530	-	3266-Q-589	-	3866-J-816	A3111-R-1526
2-K2	LH	A1-3111-U-1529	A3133-X-4054	-	2910-G-33 (2)	3866-J-816	A3111-R-1526
	RH	A1-3111-V-1530	-	3266-Q-589	-	3866-J-816	A3111-R-1526
2-K3	LH	A1-3111-U-1529	A3133-X-4054	-	2910-G-33 (2)	3866-J-816	A3111-R-1526
	RH	A1-3111-V-1530	A3133-X-4054	-	2910-G-33 (2)	3866-J-816	A3111-R-1526
2-K4	LH	A1-3111-U-1529	A3133-M-4667	-	-	3866-J-816	A3111-R-1526
	RH	A1-3111-V-1530	A3133-M-4667	-	-	3866-J-816	A3111-R-1526
2-K5	LH	A1-3111-U-1529	A2-3133-K-4821(2)	-	-	3866-J-816	A3111-R-1526
	RH	A1-3111-V-1530	A2-3133-K-4821(2)	-	-	3866-J-816	A3111-R-1526
2-K6	LH	A1-3111-U-1529	A3133-G-5623	-	2110-H-216 (2)	3866-J-816	A3111-R-1526
	RH	A1-3111-V-1530	-	3266-Q-589	-	3866-J-816	A3111-R-1526

(2) No longer available with no replacement.

(9) Crosstube is symmetrical except for different threads at each end.

KNUCKLES AND RELATED PARTS (Continued)

FDS-1600

2

Ref	LH/ RH	Knuckle (36, Fig 2)	Steering Arm (39, Fig 2)	Upper Cap (46, Fig 2)	Steering Arm Ball (45, Fig 2)	Lower Cap (75, Fig 2)	Spindle Assembly (32, Fig 2)
2-K7	LH	A1-3111-U-1529	A3933-J-322 (2)	-	2910-R-18 (2)	3866-J-816	A3111-R-1526
	RH	A1-3111-V-1530	A3933-J-322 (2)	-	2910-R-18 (2)	3866-J-816	A3111-R-1526
2-K8	LH	A1-3111-U-1529	-	1199-B-3226	-	3866-J-816	A3111-R-1526
	RH	A1-3111-V-1530	A3933-J-322 (2)	-	2910-R-18 (2)	3866-J-816	A3111-R-1526
2-K9	LH	A1-3111-U-1529	-	3286-Q-589	-	3866-J-816	A3111-R-1526
	RH	A1-3111-V-1530	A3933-J-322 (2)	-	2910-R-18 (2)	3866-J-816	A3111-R-1526
2-K10	LH	A1-3111-U-1529	A3933-J-322 (2)	-	2910-R-18 (2)	3866-J-816	A3111-R-1526
	RH	A1-3111-V-1530	-	3286-Q-589	-	3866-J-816	A3111-R-1526
2-K11	LH	A1-3111-U-1529	A3933-J-322 (2)	-	-	3866-J-816	A3111-R-1526
	RH	A1-3111-V-1530	-	3286-Q-589	-	3866-J-816	A3111-R-1526
2-K12	LH	A1-3111-U-1529	A3933-A-417 (2)	-	-	3866-J-816	A3111-R-1526
	RH	A1-3111-V-1530	A3933-A-417 (2)	-	-	3866-J-816	A3111-R-1526
2-K13	LH	A2-3111-W-1687	A3133-M-4667	-	-	3866-J-816	A3111-R-1526
	RH	A2-3111-X-1688	A3133-M-4667	-	-	3866-J-816	A3111-R-1526
2-K14	LH	A3-3111-W-1687	A3133-X-4054	-	2910-G-33 (2)	3866-J-816	A3111-R-1526
	RH	A3-3111-X-1688	-	3266-Q-589	-	3866-J-816	A3111-R-1526
2-K15	LH	A3-3111-W-1687	A3133-M-4667	-	-	3866-J-816	A3111-R-1526
	RH	A3-3111-X-1688	A3133-M-4667	-	-	3866-J-816	A3111-R-1526
2-K16	LH	A3-3111-W-1687	A3133-M-4667	-	-	3866-J-816	A3111-R-1526
	RH	A3-3111-X-1688	-	3266-Q-589	-	3866-J-816	A3111-R-1526
2-K17	LH	A3-3111-W-1687	A3133-Q-5087 (2)	-	-	3866-J-816	A3111-R-1526
	RH	A3-3111-X-1688	A3133-P-5086 (2)	-	-	3866-J-816	A3111-R-1526
2-K18	LH	A1-3111-C-2395	A3133-G-5623	-	2110-H-216 (2)	3866-J-816	A3111-R-1526
	RH	A1-3111-B-2394	-	3266-Q-589	-	3866-J-816	A3111-R-1526

(2) No longer available with no replacement.

DRUM BRAKES AND RELATED PARTS

FDS-1600

Ref	LH/ RH	Brake Assembly (25, Fig 2)	Adapter/ Slinger (29, Fig 2)	Wheel/ Hub (4, 21, Fig 2)	Brake Drum (5, Fig 2)	Flange (13, Fig 2)	Hub Cap (10, Fig 2)
2-B1	LH	RSA-17205-9	3286-C-263	A1-311-H-398 (2)(10)	-	3270-E-83	3262-F-162
	RH	RSA-17205-9	3286-C-263	A1-311-H-398 (2)(10)	-	3270-E-83	3262-F-162
2-B2	LH	RSA-17205-3	3286-C-263	A-333-P-2226	3219-V-3766	3270-E-83	3262-F-162
	RH	RSA-17205-3	3286-C-263	A-333-P-2226	3219-V-3766	3270-E-83	3262-F-162
2-B3	LH	RSA-17205-8	3286-C-263	A-333-P-2226	3219-V-3766	3270-E-83	3262-F-162
	RH	RSA-17205-8	3286-C-263	A-333-P-2226	3219-V-3766	3270-E-83	3262-F-162
2-B4	LH	RSA-17205-9	3286-C-263	A-333-P-2226	3219-V-3766	3270-E-83	3262-F-162
	RH	RSA-17205-9	3286-C-263	A-333-P-2226	3219-V-3766	3270-E-83	3262-F-162

(2) No longer available with no replacement.

(10) Wheel/drum assembly A1-311-H-398 includes brake drum.

WHEEL SEALS AND BEARINGS

FDS-1600

Ref	Inner Bearing Cup (22, Fig 2)	Inner Bearing Cone (23, Fig 2)	Outer Bearing Cup (20, Fig 2)	Outer Bearing Cone (19, Fig 2)	Oil Seal (24, Fig 2)
2-G1	64700	64450	HM-218210	HM-218248	A1205-G-995

CARRIERS

FDS-1600

Axle Model Number	Carrier Assembly (Less Yoke)	Axle Model Number	Carrier Assembly (Less Yoke)
FDS-1600-SAX-60	A81-3200-X-830	FDS-1600-SAX-149	A81-3200-X-830
FDS-1600-SAX-61	A81-3200-X-830	FDS-1600-SAX-154	A23-3200-X-830
FDS-1600-SAX-63	A81-3200-X-830	FDS-1600-SAX-155	A81-3200-X-830
FDS-1600-SAX-65	A81-3200-X-830	FDS-1600-SAX-162	A81-3200-X-830
FDS-1600-SAX-76	A81-3200-X-830	FDS-1600-SAX-163	A81-3200-X-830
FDS-1600-SAX-78	B26-3200-Z-780	FDS-1600-SAX-164	A81-3200-X-830
FDS-1600-SAX-85	A43-3200-X-830	FDS-1600-SAX-167	A81-3200-X-830
FDS-1600-SAX-91	A43-3200-X-830	FDS-1600-SAX-169	C17-3200-Z-780
FDS-1600-SAX-102	A81-3200-X-830	FDS-1600-SAX-174	A23-3200-X-830
FDS-1600-SAX-114	A81-3200-X-830	FDS-1600-SAX-180	A81-3200-X-830
FDS-1600-SAX-115	A81-3200-X-830	FDS-1600-SAX-183	A23-3200-X-830
FDS-1600-SAX-124	B26-3200-Z-780	FDS-1600-SAX-184	A85-3200-X-830
FDS-1600-SAX-135	A81-3200-X-830	FDS-1600-SAX-185	A81-3200-X-830
FDS-1600-SAX-139	A85-3200-X-830	FDS-1600-SAX-188	A81-3200-X-830
FDS-1600-SAX-140	A81-3200-X-830	FDS-1600-SAX-195	A81-3200-X-830
FDS-1600-SAX-141	A81-3200-X-830	FDS-1600-SAX-201	A85-3200-X-830
FDS-1600-SAX-146	A81-3200-X-830	FDS-1600-SAX-215	A81-3200-X-830

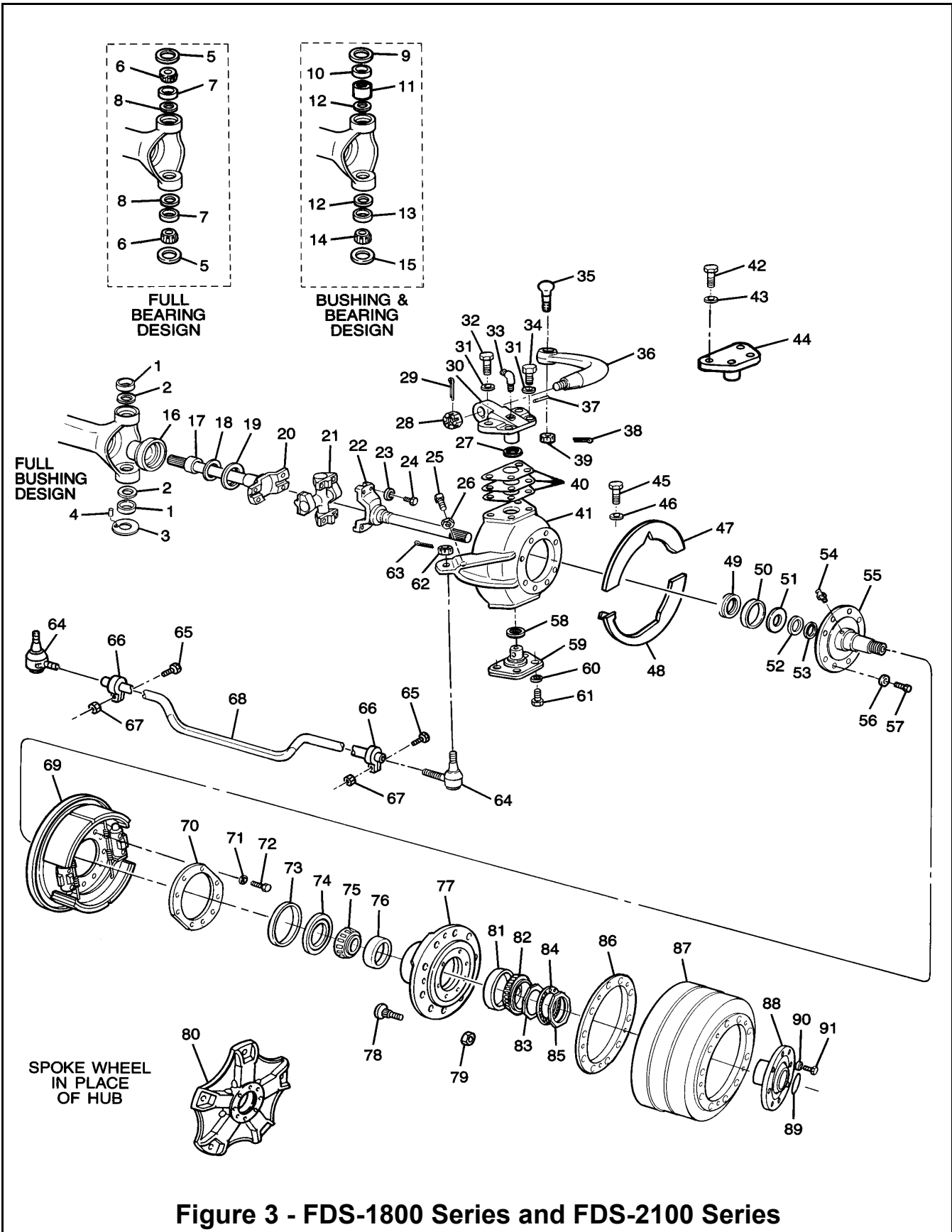


FIGURE 3

FDS-1800 and FDS-2100 SERIES

Item	Description	Part Number	Comments
1	Bushing	1225-L-974	
2	Expansion Plug	1250-B-470	
3	Thrustwasher	1229-E-2995	
4	Pin	1246-D-654	
5	Grease Seal	A-1205-X-1116	
6	Bearing Cone	HM-804840	
7	Bearing Cup	HM-804810	
8	Expansion Plug	1250-U-333	
9	Grease Seal	A-1205-X-1116	
10	Adapter	2245-Q-43	
11	Bushing	A-1225-F-968	
12	Expansion Plug	1250-U-333	
13	Bearing Cup	HM-804810	
14	Bearing Cone	HM-804840	
15	Grease Seal	A-1205-X-1116	
16	Adapter	3268-F-1124	
17	Bushing	1825-X-310	
18	Thrustwasher	1229-A-4551	
19	Oil Seal	A-1205-A-1535	
20	Shaft/Yoke - Carrier Side	See Page 31	
21	Cross/U-Joint	See Page 31	
22	Shaft/Yoke - Wheel Side	See Page 31	
23	Washer	Not sold separately	Included with Item 21
24	Capscrew	Not sold separately	Included with Item 21
25	Stopscrew	26-X-243	
26	Stopscrew Jam Nut	N-312-1	
27	Grease Seal	1205-A-1743	
28	Nut	1227-W-1609	
29	Cotter Pin	K-2618	
30	Upper Adapter	See Pages 31-35	
31	Washer	1229-Y-1559	
32	Capscrew - Long	10-X-1113	
33	Grease Fitting	1199-B-3226	
34	Capscrew - Short	10-X-1112	
35	Steering Arm Ball	See Pages 31-35	
36	Steering Arm	See Pages 31-35	
37	Key	16-X-202	
38	Cotter Pin	K-2618	
39	Nut	N-214-1	
40	Shims	2203-K-8019	4.56" O.D., .003" Thickness
		2203-L-8020	4.56" O.D., .005" Thickness
		2203-M-8021	4.56" O.D., .010" Thickness
		2203-E-7025	3.69" O.D., .003" Thickness
		2203-F-7026	3.69" O.D., .005" Thickness
		2203-G-7027	3.69" O.D., .010" Thickness
41	Knuckle	See Pages 31-35	
42	Capscrew	10-X-1112	
43	Washer	1229-Y-1559	

FDS-1800 and FDS-2100 SERIES (Continued)

Item	Description	Part Number	Comments
44	Upper Cap	See Pages 31-35	
45	Capscrew	S-265-2	
46	Washer	1229-B-1666	
47	Upper Dust Shield	A1-3236-D-2032	LH Upper
		A-3236-D-2032	RH Upper
48	Lower Dust Shield	A1-3236-C-2031	LH Lower
		A-3236-C-2031	RH Lower
49	Oil Seal	A-1205-Z-1534	
50	Sleeve	3280-S-6649	
51	Washer	1229-M-2561	Use on full bearing design and bushing & bearing design
		1229-H-2920	Use on full bushing design
52	Retainer	1205-C-1537	
53	Felt	5-X-841	
54	Grease Fitting	1199-T-2854	
55	Spindle Assembly	See Pages 31-35	
56	Washer	1229-V-1556	
57	Capscrew	10-X-1594	
58	Grease Seal	1205-A-1743	
59	Lower Cap	See Pages 31-35	
60	Washer	1229-V-1556	
61	Capscrew	S-21218-2	
62	Nut (Included with Item 64)	N-512-1	3/4"-16 Thd., 1-1/8" across flats
		N-214-1	7/8"-14 Thd., 1-5/16" across flats
63	Cotter Pin (Included with Item 64)	K-2614	1-3/4" Length
		K-2616	2" Length
64	Tie Rod End	See Page 31	
65	Capscrew	See Page 31	
66	Clamp	See Page 31	
67	Nut	See Page 31	
68	Crosstube	See Page 31	
69	Brake Assembly	See Pages 35-38	
70	Oil Slinger	See Pages 35-38	
71	Washer	1229-W-1557	
72	Capscrew	S-21018-2	
73	Sleeve	1199-T-3166	
74	Oil Seal	See Page 38	
75	Inner Bearing Cone	See Page 38	
76	Inner Bearing Cup	See Page 38	
77	Hub	See Pages 35-38	
78	Wheel Stud	20-X-1563	LH, 1-1/8"-16 x 2.66"
		20-X-1564	RH, 1-1/8"-16 x 2.66"
		20-X-1839	LH, 1-1/8"-16 x 3.50"
		20-X-1840	RH, 1-1/8"-16 x 3.50"
		20-X-1423	LH, 1-5/16"-12 x 4.00"
		20-X-1422	RH, 1-5/16"-12 x 4.00"
		20-X-2005	LH, 1-5/16"-12 x 4.875"
		20-X-2006	RH, 1-5/16"-12 x 4.875"
79	Nut	1199-M-117	LH, 1-1/8"-16
		1199-N-118	RH, 1-1/8"-16
		1199-Y-1351	LH, 1-5/16"-12
		1199-X-1350	RH, 1-5/16"-12

FDS-1800 and FDS-2100 SERIES (Continued)

Item	Description	Part Number	Comments
80	Wheel Assembly	See Pages 35-38	
81	Outer Bearing Cup	See Page 38	
82	Outer Bearing Cone	See Page 38	
83	Nut	1227-D-1018	
84	Lockwasher	1229-L-2560	
85	Nut	1227-K-1025	
86	Wheel Spacer	See Pages 35-38	
87	Brake Drum	See Pages 35-38	
88	Flange	See Pages 35-38	
89	Expansion Plug	PW-243	
90	Washer	1229-U-1503	
91	Capscrew	15-X-1594	

AXLE MODEL REFERENCE CHARTS

FDS-1805

Axle Model Number FDS-1805-	Shaft/ Yoke/Joint Assembly Pg 31	Crosstube Assembly Pg 31	Knuckle and Related Parts Pg 31-35	Brake and Related Parts Pg 35-38	Wheel End Bearings and Seals Pg 38
NX-7	3-J1	3-U1	3-K8	3-B7	3-G1
NX-10	3-J1	3-U1	3-K8	3-B22	3-G1
NX-12	3-J2	3-U2	3-K15	3-B22	3-G1
NX-14	3-J2	3-U2	3-K15	3-B22	3-G1
NX-15	3-J1	3-U1	3-K9	3-B22	3-G1
NX-16	3-J1	3-U1	3-K39	3-B34	3-G1
NX-20	3-J1	3-U1	3-K38	3-B22	3-G1
RDH-16	3-J1	3-U1	3-K17	3-B3	3-G1
RDH-19	3-J1	3-U1	3-K17	3-B3	3-G1
RSA-16	3-J1	3-U1	3-K17	3-B4	3-G1
RSA-20	3-J1	3-U1	3-K19	3-B4	3-G1
RSA-29	3-J1	3-U1	3-K8	3-B6	3-G1
RSA-31	3-J1	3-U1	3-K19	3-B4	3-G1
RSA-32	3-J1	3-U1	3-K5	3-B4	3-G1
RSA-33	3-J1	3-U1	3-K5	3-B4	3-G1
RSA-35	3-J1	3-U1	3-K13	3-B5	3-G1
RSA-38	3-J1	3-U1	3-K5	3-B12	3-G1
RSA-40	3-J1	3-U1	3-K8	3-B9	3-G1
RSA-43	3-J1	3-U1	3-K17	3-B11	3-G1
RSA-44	3-J1	3-U1	3-K13	3-B12	3-G1
RSA-52	3-J1	3-U1	3-K17	3-B12	3-G1
RSA-54	3-J1	3-U1	3-K9	3-B19	3-G1
RSA-60	3-J1	3-U1	3-K5	3-B12	3-G1
RSA-61	3-J1	3-U1	3-K13	3-B12	3-G1
RSA-63	3-J1	3-U1	3-K17	3-B12	3-G1
RSA-64	3-J1	3-U1	3-K9	3-B19	3-G1
RSA-67	3-J1	3-U1	3-K6	3-B12	3-G1
RSA-69	3-J1	3-U1	3-K9	3-B31	3-G1
RSA-70	3-J1	3-U1	3-K17	3-B13	3-G1
RSA-73	3-J1	3-U1	3-K5	3-B12	3-G1
RSA-74	3-J1	3-U1	3-K3	3-B16	3-G1
RSA-75	3-J1	3-U1	3-K14	3-B27	3-G1
RSA-77	3-J1	3-U1	3-K16	3-B17	3-G1
RSA-87	3-J1	3-U1	3-K39	3-B31	3-G1
RSA-89	3-J1	3-U1	3-K47	3-B12	3-G1
RSA-90	3-J1	3-U1	3-K40	3-B12	3-G1
RSA-91	3-J1	3-U1	3-K49	3-B14	3-G1
RSA-93	3-J1	3-U1	3-K31	3-B12	3-G1
RSA-95	3-J1	3-U1	3-K39	3-B31	3-G1
RSA-96	3-J1	3-U1	3-K41	3-B12	3-G1
RSA-97	3-J1	3-U1	3-K31	3-B12	3-G1
RSA-99	3-J1	3-U1	3-K50	3-B12	3-G1
RSA-100	3-J1	3-U1	3-K49	3-B17	3-G1
RSA-101	3-J1	3-U1	3-K49	3-B17	3-G1
RSA-103	3-J1	3-U1	3-K41	3-B16	3-G1
RSA-106	3-J1	3-U1	3-K39	3-B19	3-G1
RSA-108	3-J1	3-U1	3-K29	3-B16	3-G1

AXLE MODEL REFERENCE CHARTS

FDS-1805 (Continued)

Axle Model Number FDS-1805-	Shaft/ Yoke/Joint Assembly Pg 31	Crosstube Assembly Pg 31	Knuckle and Related Parts Pg 31-35	Brake and Related Parts Pg 35-38	Wheel End Bearings and Seals Pg 38
RSA-109	3-J1	3-U1	3-K28	3-B17	3-G1
RSA-110	3-J1	3-U1	3-K50	3-B16	3-G1
RSA-112	3-J1	3-U1	3-K31	3-B16	3-G1
RSA-115	3-J1	3-U1	3-K21	3-B19	3-G1
RSA-117	3-J1	3-U1	3-K41	3-B16	3-G1
RSA-121	3-J1	3-U1	3-K24	3-B19	3-G1
RSA-126	3-J1	3-U1	3-K51	3-B36	3-G1
RSA-128	3-J1	3-U1	3-K52	3-B36	3-G1
RSA-129	3-J1	3-U1	3-K53	3-B37	3-G1
RSA-134	3-J1	3-U1	3-K54	3-B38	3-G1

FDS-1807

Axle Model Number FDS-1807-	Shaft/ Yoke/Joint Assembly Pg 31	Crosstube Assembly Pg 31	Knuckle and Related Parts Pg 31-35	Brake and Related Parts Pg 35-38	Wheel End Bearings and Seals Pg 38
RDH-3	3-J1	3-U1	3-K12	3-B3	3-G1
RSA-7	3-J1	3-U1	3-K13	3-B5	3-G1
RSA-8	3-J1	3-U1	3-K12	3-B5	3-G1
RSA-15	3-J1	3-U1	3-K13	3-B12	3-G1
RSA-29	3-J1	3-U1	3-K12	3-B16	3-G1
RSA-30	3-J1	3-U1	3-K13	3-B12	3-G1
RSA-32	3-J1	3-U1	3-K7	3-B12	3-G1
RSA-37	3-J1	3-U1	3-K13	3-B23	3-G1
RSA-38	3-J1	3-U1	3-K5	3-B12	3-G1
RSA-44	3-J1	3-U1	3-K46	3-B17	3-G1
RSA-45	3-J1	3-U1	3-K40	3-B12	3-G1
RSA-46	3-J1	3-U1	3-K31	3-B16	3-G1
RSA-48	3-J1	3-U1	3-K45	3-B12	3-G1
RSA-49	3-J1	3-U1	3-K41	3-B16	3-G1
RSA-50	3-J1	3-U1	3-K35	3-B26	3-G1
RSA-51	3-J1	3-U1	3-K41	3-B28	3-G1
RSA-53	3-J1	3-U1	3-K21	3-B19	3-G1
RSA-55	3-J1	3-U1	3-K31	3-B16	3-G1
RSA-56	3-J1	3-U1	3-K39	3-B17	3-G1
RSA-57	3-J1	3-U1	3-K44	3-B19	3-G1
RSA-58	3-J1	3-U1	3-K34	3-B16	3-G1
RSA-59	3-J1	3-U1	3-K41	3-B16	3-G1
RSA-60	3-J1	3-U1	3-K45	3-B16	3-G1
RSA-61	3-J1	3-U1	3-K44	3-B19	3-G1
RSA-63	3-J1	3-U1	3-K25	3-B16	3-G1
RSA-64	3-J1	3-U1	3-K36	3-B28	3-G1
RSA-68	3-J1	3-U1	3-K23	3-B19	3-G1
RSA-69	3-J1	3-U1	3-K35	3-B40	3-G1
RSA-76	3-J1	3-U1	3-K55	3-B39	3-G1
RSA-77	3-J1	3-U1	3-K56	3-B38	3-G1
RSA-81	3-J1	3-U1	3-K57	3-B41	3-G1

AXLE MODEL REFERENCE CHARTS

FDS-1807 (Continued)

Axle Model Number FDS-1807-	Shaft/ Yoke/Joint Assembly Pg 31	Crosstube Assembly Pg 31	Knuckle and Related Parts Pg 31-35	Brake and Related Parts Pg 35-38	Wheel End Bearings and Seals Pg 38
RSA-89	3-J1	3-U1	3-K58	3-B36	3-G1
RSA-90	3-J1	3-U1	3-K56	3-B38	3-G1
RSA-91	3-J1	3-U1	3-K56	3-B37	3-G1

FDS-1808

Axle Model Number FDS-1808-	Shaft/ Yoke/Joint Assembly Pg 31	Crosstube Assembly Pg 31	Knuckle and Related Parts Pg 31-35	Brake and Related Parts Pg 35-38	Wheel End Bearings and Seals Pg 38
RSA-10	3-J1	3-U1	3-K19	3-B5	3-G1
RSA-11	3-J1	3-U1	3-K11	3-B2	3-G1
RSA-12	3-J1	3-U1	3-K18	3-B4	3-G1
RSA-14	3-J1	3-U1	3-K3	3-B4	3-G1
RSA-15	3-J1	3-U1	3-K19	3-B4	3-G1
RSA-16	3-J1	3-U1	3-K7	3-B4	3-G1
RSA-18	3-J1	3-U1	3-K19	3-B4	3-G1
RSA-19	3-J1	3-U1	3-K1	3-B1	3-G1
RSA-21	3-J1	3-U1	3-K11	3-B9	3-G1
RSA-22	3-J1	3-U1	3-K7	3-B19	3-G1
RSA-24	3-J1	3-U1	3-K3	3-B9	3-G1
RSA-25	3-J1	3-U1	3-K19	3-B19	3-G1
RSA-26	3-J1	3-U1	3-K7	3-B9	3-G1
RSA-27	3-J1	3-U1	3-K19	3-B19	3-G1
RSA-30	3-J1	3-U1	3-K6	3-B12	3-G1
RSA-31	3-J1	3-U1	3-K7	3-B9	3-G1
RSA-32 (11)	3-J1	3-U1	3-K13	3-B12	3-G1
RSA-32 (12)	3-J1	3-U1	3-K10	3-B31	3-G1
RSA-33	3-J1	3-U1	3-K13	3-B12	3-G1
RSA-34	3-J1	3-U1	3-K7	3-B12	3-G1
RSA-35	3-J1	3-U1	3-K11	3-B14	3-G1
RSA-36	3-J1	3-U1	3-K11	3-B8	3-G1
RSA-38	3-J1	3-U1	3-K5	3-B12	3-G1
RSA-41	3-J1	3-U1	3-K7	3-B12	3-G1
RSA-42	3-J1	3-U1	3-K4	3-B12	3-G1
RSA-46	3-J1	3-U1	3-K6	3-B19	3-G1
RSA-47	3-J1	3-U1	3-K6	3-B12	3-G1
RSA-49	3-J1	3-U1	3-K5	3-B12	3-G1
RSA-50	3-J1	3-U1	3-K4	3-B12	3-G1
RSA-51	3-J1	3-U1	3-K7	3-B19	3-G1
RSA-52	3-J1	3-U1	3-K3	3-B19	3-G1
RSA-53	3-J1	3-U1	3-K19	3-B19	3-G1
RSA-54	3-J1	3-U1	3-K19	3-B19	3-G1
RSA-55	3-J1	3-U1	3-K13	3-B12	3-G1
RSA-56	3-J1	3-U1	3-K11	3-B14	3-G1
RSA-61	3-J1	3-U1	3-K9	3-B27	3-G1
RSA-62	3-J1	3-U1	3-K19	3-B19	3-G1

(11) For 6.17 axle ratio.

(12) For 7.40 axle ratio

AXLE MODEL REFERENCE CHARTS

FDS-1808 (Continued)

Axle Model Number FDS-1808-	Shaft/ Yoke/Joint Assembly Pg 31	Crosstube Assembly Pg 31	Knuckle and Related Parts Pg 31-35	Brake and Related Parts Pg 35-38	Wheel End Bearings and Seals Pg 38
RSA-66	3-J1	3-U1	3-K5	3-B12	3-G1
RSA-70	3-J1	3-U1	3-K17	3-B12	3-G1
RSA-76	3-J1	3-U1	3-K6	3-B14	3-G1
RSA-83	3-J1	3-U1	3-K39	3-B27	3-G1
RSA-84	3-J1	3-U1	3-K21	3-B19	3-G1
RSA-85	3-J1	3-U1	3-K21	3-B19	3-G1
RSA-86	3-J1	3-U1	3-K47	3-B12	3-G1
RSA-88	3-J1	3-U1	3-K40	3-B12	3-G1
RSA-92	3-J1	3-U1	3-K27	3-B19	3-G1
RSA-94	3-J1	3-U1	3-K37	3-B29	3-G1
RSA-96	3-J1	3-U1	3-K27	3-B19	3-G1
RSA-97	3-J1	3-U1	3-K32	3-B23	3-G1
RSA-100	3-J1	3-U1	3-K32	3-B23	3-G1
RSA-101	3-J1	3-U1	3-K39	3-B31	3-G1
RSA-105	3-J1	3-U1	3-K21	3-B19	3-G1
RSA-106	3-J1	3-U1	3-K21	3-B19	3-G1
RSA-107	3-J1	3-U1	3-K50	3-B12	3-G1
RSA-108	3-J1	3-U1	3-K41	3-B12	3-G1
RSA-120	3-J1	3-U1	3-K21	3-B19	3-G1
RSA-121	3-J1	3-U1	3-K21	3-B19	3-G1
RSA-122	3-J1	3-U1	3-K37	3-B30	3-G1
RSA-124	3-J1	3-U1	3-K41	3-B16	3-G1
RSA-131	3-J1	3-U1	3-K21	3-B19	3-G1
RSA-132	3-J1	3-U1	3-K41	3-B16	3-G1
RSA-133	3-J1	3-U1	3-K21	3-B19	3-G1
RSA-137	3-J1	3-U1	3-K21	3-B17	3-G1
RSA-138	3-J1	3-U1	3-K39	3-B31	3-G1
RSA-139	3-J1	3-U1	3-K48	3-B18	3-G1
RSA-140	3-J1	3-U1	3-K48	3-B17	3-G1
RSA-146	3-J1	3-U1	3-K44	3-B29	3-G1
RSA-147	3-J1	3-U1	3-K39	3-B27	3-G1
RSA-152	3-J1	3-U1	3-K27	3-B19	3-G1
RSA-153	3-J1	3-U1	3-K23	3-B19	3-G1

FDS-2100

Axle Model Number FDS-2100-	Shaft/ Yoke/Joint Assembly Pg 31	Crosstube Assembly Pg 31	Knuckle and Related Parts Pg 31-35	Brake and Related Parts Pg 35-38	Wheel End Bearings and Seals Pg 38
RSA-13	3-J1	3-U1	3-K2	3-B12	3-G1
RSA-14	3-J1	3-U1	3-K20	3-B23	3-G1
RSA-16	3-J1	3-U1	3-K22	3-B28	3-G1
RSA-18	3-J1	3-U1	3-K39	3-B32	3-G1
RSA-21	3-J1	3-U1	3-K22	3-B23	3-G1
RSA-23	3-J1	3-U1	3-K42	3-B15	3-G1
RSA-29	3-J1	3-U1	3-K25	3-B24	3-G1
RSA-32	3-J1	3-U1	3-K25	3-B28	3-G1

AXLE MODEL REFERENCE CHARTS

FDS-2100 (Continued)

Axle Model Number FDS-2100-	Shaft/ Yoke/Joint Assembly Pg 31	Crosstube Assembly Pg 31	Knuckle and Related Parts Pg 31-35	Brake and Related Parts Pg 35-38	Wheel End Bearings and Seals Pg 38
RSA-33	3-J1	3-U1	3-K22	3-B28	3-G1
RSA-35	3-J1	3-U1	3-K22	3-B28	3-G1
RSA-36	3-J1	3-U1	3-K25	3-B28	3-G1
RSA-39	3-J1	3-U1	3-K39	3-B32	3-G1
RSA-40	3-J1	3-U1	3-K30	3-B24	3-G1
RSA-42	3-J1	3-U1	3-K26	3-B24	3-G1
RSA-43	3-J1	3-U1	3-K43	3-B24	3-G1
RSA-44	3-J1	3-U1	3-K34	3-B29	3-G1
RSA-51	3-J1	3-U1	3-K59	3-B37	3-G1

FDS-2101

Axle Model Number FDS-2101-	Shaft/ Yoke/Joint Assembly Pg 31	Crosstube Assembly Pg 31	Knuckle and Related Parts Pg 31-35	Brake and Related Parts Pg 35-38	Wheel End Bearings and Seals Pg 38
RSA-9	3-J1	3-U1	3-K34	3-B35	3-G1
RSA-14	3-J1	3-U1	3-K32	3-B24	3-G1
RSA-21	3-J1	3-U1	3-K48	3-B27	3-G1
RSA-32	3-J1	3-U1	3-K58	3-B37	3-G1
RSA-35	3-J1	3-U1	3-K55	3-B36	3-G1

FDS-2102

Axle Model Number FDS-2102-	Shaft/ Yoke/Joint Assembly Pg 31	Crosstube Assembly Pg 31	Knuckle and Related Parts Pg 31-35	Brake and Related Parts Pg 35-38	Wheel End Bearings and Seals Pg 38
NX-2	3-J1	3-U1	3-K39	3-B20	3-G1
RSA-7	3-J1	3-U1	3-K33	3-B23	3-G1
RSA-8	3-J1	3-U1	3-K9	3-B31	3-G1
RSA-9	3-J1	3-U1	3-K39	3-B31	3-G1
RSA-10	3-J1	3-U1	3-K39	3-B31	3-G1
RSA-15	3-J1	3-U1	3-K39	3-B42	3-G1
RSA-17	3-J1	3-U1	3-K30	3-B25	3-G1
RSA-19	3-J1	3-U1	3-K39	3-B33	3-G1
RSA-20	3-J1	3-U1	3-K39	3-B21	3-G1
RSA-24	3-J1	3-U1	3-K60	3-B43	3-G1
RSA-25	3-J1	3-U1	3-K60	3-B44	3-G1

SHAFT/YOKE/JOINT ASSEMBLIES

FDS-1800 Series and FDS-2100 Series

Ref	LH/ RH	Shaft/Yoke/Joint Assembly (20-24 Fig 3)	Shaft/Yoke - Carrier Side (20, Fig 3)	Shaft/Yoke - Wheel Side (22, Fig 3)	Cross/U-Joint (21, Fig 3)
3-J1	LH	A2-3205-B-1120	(13)	(13)	(13)
	RH	A2-3205-B-1120			
3-J2	LH	A4-3205-B-1120	(13)	(13)	(13)
	RH	A3-3205-B-1120			

3

CROSTUBE ASSEMBLIES

FDS-1800 Series and FDS-2100 Series

Ref	Crosstube Assembly (64-68, Fig 3)	Tie Rod End LH or RH (64, Fig 3)	Tie Rod End LH or RH (64, Fig 3)	Crosstube with Clamps (65-68, Fig 3)	Crosstube (13) (68, Fig 3)
3-U1	A1-3102-D-4424	A3144-Y-1091	A3144-X-1090	A3102-D-4424	3102-D-4424
3-U2	A1-3102-A-4213	-	A1-3144-F-370	A3102-A-4213	3102-A-4213

(13) Not sold separately.

KNUCKLES AND RELATED PARTS

FDS-1800 Series and FDS-2100 Series

Ref	LH/ RH	Knuckle (41, Fig 3)	Steering Arm (36, Fig 3)	Upper Adapter/Cap (30, 44, Fig 3)	Steering Arm Ball (35, Fig 3)	Lower Cap (59, Fig 3)	Spindle Assembly (55, Fig 3)
3-K1	LH	3111-K-2325	3133-N-6488K	3280-D-4840	2110-A-209	3262-K-349	A3213-Q-693
	RH	3111-L-2326	3133-R-7324K	3280-E-4841	2110-V-100	3262-K-349	A3213-Q-693
3-K2	LH	3111-K-2325	3133-M-6903K	3280-E-4841	-	3262-K-349	A3213-Q-693
	RH	3111-L-2326	3133-C-6919K	3280-D-4840	-	3262-K-349	A3213-Q-693
3-K3	LH	3111-K-2325	3133-A-6787K	3280-E-4841	2110-A-209	3262-K-349	A3213-Q-693
	RH	3111-L-2326	3133-T-6936K (14)	3280-D-4840	2110-A-209	3262-K-349	A3213-Q-693

(14) Use 3133-T-6936K for all applications except front mounted RF and FDS use 3133-Z-7592K.

KNUCKLES AND RELATED PARTS (Continued)

FDS-1800 Series and FDS-2100 Series

Ref	LH/ RH	Knuckle (41, Fig 3)	Steering Arm (36, Fig 3)	Upper Adapter/Cap (30, 44, Fig 3)	Steering Arm Ball (35, Fig 3)	Lower Cap (59, Fig 3)	Spindle Assembly (55, Fig 3)
3-K4	LH	3111-K-2325	3133-A-6787K	3280-E-4841	-	3262-K-349	A3213-Q-693
	RH	3111-L-2326	3133-T-6936K (14)	3280-D-4840	-	3262-K-349	A3213-Q-693
3-K5	LH	3111-K-2325	3133-A-6787K	3280-E-4841	-	3262-K-349	A3213-Q-693
	RH	3111-L-2326	-	3262-P-354 (2)	-	3262-K-349	A3213-Q-693
3-K6	LH	3111-K-2325	3133-T-6936K (14)	3280-D-4840	2110-A-209	3262-K-349	A3213-Q-693
	RH	3111-L-2326	3133-A-6787K	3280-E-4841	2110-A-209	3262-K-349	A3213-Q-693
3-K7	LH	3111-K-2325	3133-T-6936K (14)	3280-D-4840	2110-A-209	3262-K-349	A3213-Q-693
	RH	3111-L-2326	-	3262-P-354 (2)	-	3262-K-349	A3213-Q-693
3-K8	LH	3111-K-2325	3133-C-5047K	3280-E-4841	-	3262-K-349	A3213-Q-693
	RH	3111-L-2326	3133-C-5047K	3280-E-4841	-	3262-K-349	A3213-Q-693
3-K9	LH	3111-K-2325	3133-E-5049K (2)	3280-D-4840	-	3262-K-349	A3213-Q-693
	RH	3111-L-2326	3133-C-5047K	3280-E-4841	-	3262-K-349	A3213-Q-693
3-K10	LH	3111-K-2325	3133-E-5049K (2)	3280-E-4841	-	3262-K-349	A3213-Q-693
	RH	3111-L-2326	3133-C-5047K	3280-D-4840	-	3262-K-349	A3213-Q-693
3-K11	LH	3111-K-2325	3133-B-6788K	3280-D-4840	2110-A-209	3262-K-349	A3213-Q-693
	RH	3111-L-2326	3133-R-6934	3280-E-4841	2110-A-209	3262-K-349	A3213-Q-693
3-K12	LH	3111-K-2325	3133-B-6788K	3280-D-4840	-	3262-K-349	A3213-Q-693
	RH	3111-L-2326	-	3262-P-354 (2)	-	3262-K-349	A3213-Q-693
3-K13	LH	3111-K-2325	3133-R-6934	3280-E-4841	-	3262-K-349	A3213-Q-693
	RH	3111-L-2326	3133-R-6934	3280-E-4841	-	3262-K-349	A3213-Q-693
3-K14	LH	3111-K-2325	3133-D-5282 (15)	3280-E-4841	2110-A-209	3262-K-349	A3213-Q-693
	RH	3111-L-2326	3133-D-5282 (15)	3280-E-4841	2110-A-209	3262-K-349	A3213-Q-693
3-K15	LH	3111-K-2325	3133-K-5341 (2)	3280-E-4841	-	3262-K-349	A3213-Q-693
	RH	3111-L-2326	3133-K-5341 (2)	3280-E-4841	-	3262-K-349	A3213-Q-693
3-K16	LH	3111-K-2325	-	3280-D-4840	-	3262-K-349	A3213-Q-693
	RH	3111-L-2326	-	3280-D-4840	-	3262-K-349	A3213-Q-693
3-K17	LH	3111-K-2325	-	3280-D-4840	-	3262-K-349	A3213-Q-693
	RH	3111-L-2326	-	3280-E-4841	-	3262-K-349	A3213-Q-693
3-K18	LH	3111-K-2325	3133-T-6936K (14)	3280-D-4840	2110-A-209	3262-K-349	A3213-Q-693
	RH	3111-L-2326	-	3262-P-354 (2)	-	3262-K-349	A3213-Q-693
3-K19	LH	3111-Q-2331	3133-A-6787K	3280-E-4841	2110-A-209	3262-K-349	A3213-Q-693
	RH	3111-R-2332	-	3262-P-354 (2)	-	3262-K-349	A3213-Q-693
3-K20	LH	3111-Q-2331	3133-S-6935K	3280-D-4840	-	3262-K-349	A3213-Q-693
	RH	3111-R-2332	-	3262-P-354 (2)	-	3262-K-349	A3213-Q-693

(2) No longer available with no replacement.

(14) Use 3133-T-6936K for all applications except front mounted RF and FDS use 3133-Z-7592K.

(15) For front mount replaced by 3133-U-7639K. For rear mount replaced by 3133-D-7102.

KNUCKLES AND RELATED PARTS (Continued)

FDS-1800 Series and FDS-2100 Series

Ref	LH/ RH	Knuckle (41, Fig 3)	Steering Arm (36, Fig 3)	Upper Adapter/Cap (30, 44, Fig 3)	Steering Arm Ball (35, Fig 3)	Lower Cap (59, Fig 3)	Spindle Assembly (55, Fig 3)
3-K21	LH	3111-A-2471	3133-A-6787K	3268-X-1116	2110-A-209	3262-R-356	A1-3213-Q-693
	RH	3111-B-2472	-	3262-T-358	-	3262-R-356	A1-3213-Q-693
3-K22	LH	3111-A-2471	3133-S-6935K	3262-W-1115	-	3262-R-356	A1-3213-Q-693
	RH	3111-B-2472	-	3262-T-358	-	3262-R-356	A1-3213-Q-693
3-K23	LH	3111-E-2475	3133-Z-4940 (16)	3268-X-1116	-	3262-R-356	A1-3213-Q-693
	RH	3111-F-2476	3133-Z-4940 (16)	3268-X-1116	-	3262-R-356	A1-3213-Q-693
3-K24	LH	3111-E-2475	3133-A-6787K	3268-X-1116	2110-A-209	3262-R-356	A1-3213-Q-693
	RH	3111-F-2476	3133-A-6787K	3268-X-1116	2110-A-209	3262-R-356	A1-3213-Q-693
3-K25	LH	3111-E-2475	3133-A-6787K	3268-W-1115	2110-A-209	3262-R-356	A1-3213-Q-693
	RH	3111-F-2476	3133-T-6936K (14)	3268-X-1116	2110-A-209	3262-R-356	A1-3213-Q-693
3-K26	LH	3111-E-2475	3133-A-6787K	3268-W-1115	-	3262-R-356	A1-3213-Q-693
	RH	3111-F-2476	3133-T-6936K (14)	3268-X-1116	-	3262-R-356	A1-3213-Q-693
3-K27	LH	3111-E-2475	3133-A-6787K	3268-X-1116	2110-A-209	3262-R-356	A1-3213-Q-693
	RH	3111-F-2476	3133-T-6936K (14)	3268-W-1115	2110-A-209	3262-R-356	A1-3213-Q-693
3-K28	LH	3111-E-2475	3133-A-6787K	3268-X-1116	-	3262-R-356	A1-3213-Q-693
	RH	3111-F-2476	3133-T-6936K (14)	3268-W-1115	2110-A-209	3262-R-356	A1-3213-Q-693
3-K29	LH	3111-E-2475	3133-A-6787K	3268-X-1116	-	3262-R-356	A1-3213-Q-693
	RH	3111-F-2476	3133-T-6936K (14)	3268-W-1115	-	3262-R-356	A1-3213-Q-693
3-K30	LH	3111-E-2475	3133-A-6787K	3268-W-1115	-	3262-R-356	A1-3213-Q-693
	RH	3111-F-2476	-	3262-T-358	-	3262-R-356	A1-3213-Q-693
3-K31	LH	3111-E-2475	3133-A-6787K	3268-X-1116	-	3262-R-356	A1-3213-Q-693
	RH	3111-F-2476	-	3262-T-358	-	3262-R-356	A1-3213-Q-693
3-K32	LH	3111-E-2475	3133-T-6936K (14)	3268-W-1115	2110-A-209	3262-R-356	A1-3213-Q-693
	RH	3111-F-2476	3133-A-6787K	3268-X-1116	2110-A-209	3262-R-356	A1-3213-Q-693
3-K33	LH	3111-E-2475	3133-T-6936K (14)	3268-W-1115	2110-A-209	3262-R-356	A1-3213-Q-693
	RH	3111-F-2476	3133-T-6936K (14)	3268-W-1115	2110-A-209	3262-R-356	A1-3213-Q-693
3-K34	LH	3111-E-2475	3133-T-6936K (14)	3268-W-1115	2110-A-209	3262-R-356	A1-3213-Q-693
	RH	3111-F-2476	-	3262-T-358	-	3262-R-356	A1-3213-Q-693
3-K35	LH	3111-E-2475	3133-Y-5043	3268-X-1116	-	3262-R-356	A1-3213-Q-693
	RH	3111-F-2476	3133-Y-5043	3268-X-1116	-	3262-R-356	A1-3213-Q-693
3-K36	LH	3111-E-2475	3133-C-5047K	3268-W-1115	-	3262-R-356	A1-3213-Q-693
	RH	3111-F-2476	3133-C-5047K	3268-W-1115	-	3262-R-356	A1-3213-Q-693
3-K37	LH	3111-E-2475	3133-C-5047K	3268-X-1116	-	3262-R-356	A1-3213-Q-693
	RH	3111-F-2476	3133-C-5047K	3268-X-1116	-	3262-R-356	A1-3213-Q-693

(14) Use 3133-T-6936K for all applications except front mounted RF and FDS use 3133-Z-7592K.

(16) No longer available. Contact Florence Information Services for replacement information (1-888-725-9355).

KNUCKLES AND RELATED PARTS (Continued)

FDS-1800 Series and FDS-2100 Series

Ref	LH/ RH	Knuckle (41, Fig 3)	Steering Arm (36, Fig 3)	Upper Adapter/Cap (30, 44, Fig 3)	Steering Arm Ball (35, Fig 3)	Lower Cap (59, Fig 3)	Spindle Assembly (55, Fig 3)
3-K38	LH	3111-E-2475	3133-E-5049K (2)	3268-W-1115	-	3262-R-356	A3213-Q-693
	RH	3111-F-2476	3133-C-5047K	3268-X-1116	-	3262-R-356	A3213-Q-693
3-K39	LH	3111-E-2475	3133-E-5049K (2)	3268-W-1115	-	3262-R-356	A1-3213-Q-693
	RH	3111-F-2476	3133-C-5047K	3268-X-1116	-	3262-R-356	A1-3213-Q-693
3-K40	LH	3111-E-2475	3133-R-6934	3268-X-1116	-	3262-R-356	A3213-Q-693
	RH	3111-F-2476	3133-R-6934	3268-X-1116	-	3262-R-356	A3213-Q-693
3-K41	LH	3111-E-2475	3133-R-6934	3268-X-1116	-	3262-R-356	A1-3213-Q-693
	RH	3111-F-2476	3133-R-6934	3268-X-1116	-	3262-R-356	A1-3213-Q-693
3-K42	LH	3111-E-2475	3133-E-5153 (2)	3268-X-1116	-	3262-R-356	A1-3213-Q-693
	RH	3111-F-2476	3133-E-5153 (2)	3268-X-1116	-	3262-R-356	A1-3213-Q-693
3-K43	LH	3111-E-2475	3133-S-6935K	3268-W-1115	-	3262-R-356	A1-3213-Q-693
	RH	3111-F-2476	-	3262-T-358	-	3262-R-356	A1-3213-Q-693
3-K44	LH	3111-E-2475	3133-D-5282 (15)	3268-X-1116	-	3262-R-356	A1-3213-Q-693
	RH	3111-F-2476	3133-D-5282 (15)	3268-X-1116	-	3262-R-356	A1-3213-Q-693
3-K45	LH	3111-E-2475	3133-B-6788K	3268-W-1115	-	3262-R-356	A1-3213-Q-693
	RH	3111-F-2476	-	3262-T-358	-	3262-R-356	A1-3213-Q-693
3-K46	LH	3111-E-2475	3133-B-6788K	3268-X-1116	-	3262-R-356	A1-3213-Q-693
	RH	3111-F-2476	-	3262-T-358	-	3262-R-356	A1-3213-Q-693
3-K47	LH	3111-E-2475	-	3268-W-1115	-	3262-R-356	A3213-Q-693
	RH	3111-F-2476	-	3268-X-1116	-	3262-R-356	A3213-Q-693
3-K48	LH	3111-E-2475	-	3268-W-1115	-	3262-R-356	A1-3213-Q-693
	RH	3111-F-2476	-	3268-X-1116	-	3262-R-356	A1-3213-Q-693
3-K49	LH	3111-E-2475	-	3268-W-1115	-	3262-R-356	A1-3213-Q-693
	RH	3111-F-2476	-	3268-W-1115	-	3262-R-356	A1-3213-Q-693
3-K50	LH	3111-E-2475	-	3268-W-1115	-	3262-R-356	A1-3213-Q-693
	RH	3111-F-2476	-	3268-X-1116	-	3262-R-356	A1-3213-Q-693
3-K51	LH	3111-E-2475	3133-R-6934	3268-X-1116	-	3262-R-356	A3213-B-1588
	RH	3111-F-2476	3133-R-6934	3268-X-1116	-	3262-R-356	A3213-B-1588
3-K52	LH	3111-E-2475	-	3268-W-1115	-	3262-R-356	A3213-B-1588
	RH	3111-F-2476	-	3268-W-1115	-	3262-R-356	A3213-B-1588
3-K53	LH	3111-E-2475	3133-T-6936K	3268-W-1115	-	3262-R-356	A3213-B-1588
	RH	3111-F-2476	3133-A-6787K	3268-X-1116	-	3262-R-356	A3213-B-1588
3-K54	LH	3111-E-2475	3133-B-6788K	3268-W-1115	2110-A-209	3262-R-356	A3213-B-1588
	RH	3111-F-2476	3133-R-6934	3268-X-1116	2110-A-209	3262-R-356	A3213-B-1588

(2) No longer available with no replacement.

(15) For front mount replaced by 3133-U-7639K. For rear mount replaced by 3133-D-7102.

KNUCKLES AND RELATED PARTS (Continued)

FDS-1800 Series and FDS-2100 Series

Ref	LH/ RH	Knuckle (41, Fig 3)	Steering Arm (36, Fig 3)	Upper Adapter/Cap (30, 44, Fig 3)	Steering Arm Ball (35, Fig 3)	Lower Cap (59, Fig 3)	Spindle Assembly (55, Fig 3)
3-K55	LH	3111-E-2475	3133-R-6934	3268-X-1116	-	3262-R-356	A3213-B-1588
	RH	3111-F-2476	3133-R-6934	3268-X-1116	-	3262-R-356	A3213-B-1588
3-K56	LH	3111-E-2475	3133-B-6788K	3268-W-1115	-	3262-R-356	A3213-B-1588
	RH	3111-F-2476	-	3262-T-358	-	3262-R-356	A3213-B-1588
3-K57	LH	3111-E-2475	3133-Z-4940 (16)	3268-X-1116	-	3262-R-356	A3213-B-1588
	RH	3111-F-2476	3133-Z-4940 (16)	3268-X-1116	-	3262-R-356	A3213-B-1588
3-K58	LH	3111-E-2475	-	3268-W-1115	-	3262-R-356	A3213-B-1588
	RH	3111-F-2476	-	3268-X-1116	-	3262-R-356	A3213-B-1588
3-K59	LH	3111-A-2471	3133-S-6935K	3268-W-1115	-	3262-R-356	A3213-B-1588
	RH	3111-B-2472	-	3262-T-358	-	3262-R-356	A3213-B-1588
3-K60	LH	3111-E-2475	3133-E-5049K (2)	3268-W-1115	-	3262-R-356	A3213-B-1588
	RH	3111-F-2476	3133-C-5047K	3268-X-1116	-	3262-R-356	A3213-B-1588

3

DRUM BRAKES AND RELATED PARTS

FDS-1800 Series and FDS-2100 Series

Ref	LH/ RH	Brake Assembly (69, Fig 3)	Adapter/ Slinger (70, Fig 3)	Wheel/ Hub (77, 80, Fig 3)	Brake Drum (87, Fig 3)	Flange (88, Fig 3)	Wheel Spacer (86, Fig 3)
3-B1	LH	RSA17006-125	3286-V-490 (2)	A333-E-2631	3219-S-4309	A3270-V-1036	-
	RH	RSA17006-125	3286-V-490 (2)	A333-E-2631	3219-S-4309	A3270-V-1036	-
3-B2	LH	RSA17006-107	3286-V-490 (2)	A333-E-2631	3219-S-4309	A3270-V-1036	-
	RH	RSA17006-107	3286-V-490 (2)	A333-E-2631	3219-S-4309	A3270-V-1036	-
3-B3	LH	RDH-17006-23	3286-V-490 (2)	A333-E-2631	3219-S-4309	A3270-V-1036	-
	RH	RDH-17006-24	3286-V-490 (2)	A333-E-2631	3219-S-4309	A3270-V-1036	-
3-B4	LH	RSA17006-125	3286-V-490 (2)	A333-E-2631	3219-S-4309	A3270-V-1036	-
	RH	RSA17006-125	3286-V-490 (2)	A333-E-2631	3219-S-4309	A3270-V-1036	-
3-B5	LH	RSA17006-107	3286-V-490 (2)	A333-E-2631	3219-S-4309	A3270-V-1036	-
	RH	RSA17006-107	3286-V-490 (2)	A333-E-2631	3219-S-4309	A3270-V-1036	-
3-B6	LH	RSA17006-103	3286-V-490 (2)	A333-E-2631	3219-S-4309	A3270-V-1036	-
	RH	RSA17006-103	3286-V-490 (2)	A333-E-2631	3219-S-4309	A3270-V-1036	-
3-B7	LH	-	-	A333-E-2631	-	A3270-V-1036	-
	RH	-	-	A333-E-2631	-	A3270-V-1036	-
3-B8	LH	RSA17006-107	3286-V-490 (2)	A333-E-2631	3219-S-4309	A3270-V-1036	-
	RH	RSA17006-107	3286-V-490 (2)	A333-E-2631	3219-S-4309	A3270-V-1036	-

(2) No longer available with no replacement.

(16) No longer available. Contact Florence Information Services for replacement information (1-888-725-9355).

DRUM BRAKES AND RELATED PARTS (Continued)

FDS-1800 Series and FDS-2100 Series

Ref	LH/ RH	Brake Assembly (69, Fig 3)	Adapter/ Slinger (70, Fig 3)	Wheel/ Hub (77, 80, Fig 3)	Brake Drum (87, Fig 3)	Flange (88, Fig 3)	Wheel Spacer (86, Fig 3)
3-B9	LH	RSA17006-23	3286-V-490 (2)	A333-E-2631	3219-S-4309	A3270-V-1036	-
	RH	RSA17006-24	3286-V-490 (2)	A333-E-2631	3219-S-4309	A3270-V-1036	-
3-B10	LH	RSA17006-125	3286-V-490 (2)	A333-E-2631	3219-S-4309	A3270-V-1036	-
	RH	RSA17006-125	3286-V-490 (2)	A333-E-2631	3219-S-4309	A3270-V-1036	-
3-B11	LH	RSA17006-125	3286-V-490 (2)	A333-E-2631	3219-S-4309	A3270-V-1036	3280-U-6989
	RH	RSA17006-125	3286-V-490 (2)	A333-E-2631	3219-S-4309	A3270-V-1036	3280-U-6989
3-B12	LH	RSA17006-107	3286-V-490 (2)	A333-E-2631	3219-S-4309	A3270-V-1036	-
	RH	RSA17006-107	3286-V-490 (2)	A333-E-2631	3219-S-4309	A3270-V-1036	-
3-B13	LH	RSA17006-107	3286-V-490 (2)	A333-E-2631	3219-S-4309	A3270-V-1036	3280-U-6989
	RH	RSA17006-107	3286-V-490 (2)	A333-E-2631	3219-S-4309	A3270-V-1036	3280-U-6989
3-B14	LH	RSA17006-53	3286-V-490 (2)	A333-E-2631	3219-S-4309	A3270-V-1036	-
	RH	RSA17006-53	3286-V-490 (2)	A333-E-2631	3219-S-4309	A3270-V-1036	-
3-B15	LH	RSA17006-97	3286-V-490 (2)	A333-E-2631	3219-S-4309	A3270-V-1036	-
	RH	RSA17006-97	3286-V-490 (2)	A333-E-2631	3219-S-4309	A3270-V-1036	-
3-B16	LH	RSA17006-107	3286-V-490 (2)	A333-E-2631	3219-S-4309	A3270-V-1036	-
	RH	RSA17006-107	3286-V-490 (2)	A333-E-2631	3219-S-4309	A3270-V-1036	-
3-B17	LH	RSA17006-107	3286-V-490 (2)	A333-E-2631	3219-S-4309	A3270-V-1036	-
	RH	RSA17006-107	3286-V-490 (2)	A333-E-2631	3219-S-4309	A3270-V-1036	-
3-B18	LH	RSA17006-107	3286-V-490 (2)	A333-E-2631	3219-S-4309	A3270-V-1036	3280-U-6989
	RH	RSA17006-107	3286-V-490 (2)	A333-E-2631	3219-S-4309	A3270-V-1036	3280-U-6989
3-B19	LH	RSA17006-103	3286-V-490 (2)	A333-E-2631	3219-S-4309	A3270-V-1036	-
	RH	RSA17006-103	3286-V-490 (2)	A333-E-2631	3219-S-4309	A3270-V-1036	-
3-B20	LH	-	-	A333-E-2631	3219-S-4309	A3270-V-1036	-
	RH	-	-	A333-E-2631	3219-S-4309	A3270-V-1036	-
3-B21	LH	RSA17006-95	3286-V-490 (2)	A333-E-2631	-	A3270-V-1036	-
	RH	RSA17006-95	3286-V-490 (2)	A333-E-2631	-	A3270-V-1036	-
3-B22	LH	-	-	A333-P-2642	-	A3270-V-1036	-
	RH	-	-	A333-P-2642	-	A3270-V-1036	-
3-B23	LH	RSA17006-107	3286-V-490 (2)	A333-F-2658	3219-Y-4471	A3270-V-1036	-
	RH	RSA17006-107	3286-V-490 (2)	A333-F-2658	3219-Y-4471	A3270-V-1036	-
3-B24	LH	RSA17006-97	3286-V-490 (2)	A333-F-2658	3219-Y-4471	A3270-V-1036	-
	RH	RSA17006-97	3286-V-490 (2)	A333-F-2658	3219-Y-4471	A3270-V-1036	-
3-B25	LH	RSA17006-97	3286-V-490 (2)	A333-F-2658	3219-Y-4471	A3270-V-1036	-
	RH	RSA17006-97	3286-V-490 (2)	A333-F-2658	3219-Y-4471	A3270-V-1036	-

(2) No longer available with no replacement.

DRUM BRAKES AND RELATED PARTS (Continued)

FDS-1800 Series and FDS-2100 Series

Ref	LH/ RH	Brake Assembly (69, Fig 3)	Adapter/ Slinger (70, Fig 3)	Wheel/ Hub (77, 80, Fig 3)	Brake Drum (87, Fig 3)	Flange (88, Fig 3)	Wheel Spacer (86, Fig 3)
3-B26	LH	RSA17006-101	3286-V-490 (2)	A333-F-2658	3219-Y-4471	A3270-V-1036	-
	RH	RSA17006-102	3286-V-490 (2)	A333-F-2658	3219-Y-4471	A3270-V-1036	-
3-B27	LH	RSA17006-103	3286-V-490 (2)	A333-F-2658	3219-Y-4471	A3270-V-1036	-
	RH	RSA17006-103	3286-V-490 (2)	A333-F-2658	3219-Y-4471	A3270-V-1036	-
3-B28	LH	RSA17006-107	3286-V-490 (2)	A333-F-2658	3219-Y-4471	A3270-V-1036	-
	RH	RSA17006-107	3286-V-490 (2)	A333-F-2658	3219-Y-4471	A3270-V-1036	-
3-B29	LH	RSA17006-107	3286-V-490 (2)	A333-F-2658	3219-Y-4471	A3270-V-1036	-
	RH	RSA17006-107	3286-V-490 (2)	A333-F-2658	3219-Y-4471	A3270-V-1036	-
3-B30	LH	RSA17006-107	3286-V-490 (2)	A333-F-2658	3219-Y-4471	A3270-V-1036	3280-U-6989
	RH	RSA17006-107	3286-V-490 (2)	A333-F-2658	3219-Y-4471	A3270-V-1036	3280-U-6989
3-B31	LH	RSA17006-103	3286-V-490 (2)	A333-F-2658	-	A3270-V-1036	-
	RH	RSA17006-103	3286-V-490 (2)	A333-F-2658	-	A3270-V-1036	-
3-B32	LH	RSA17006-107	3286-V-490 (2)	A333-F-2658	-	A3270-V-1036	-
	RH	RSA17006-107	3286-V-490 (2)	A333-F-2658	-	A3270-V-1036	-
3-B33	LH	RSA17006-111	3286-V-490 (2)	A333-F-2658	-	A3270-V-1036	-
	RH	RSA17006-111	3286-V-490 (2)	A333-F-2658	-	A3270-V-1036	-
3-B34	LH	-	-	A333-F-2658	-	A3270-V-1036	-
	RH	-	-	A333-F-2658	-	A3270-V-1036	-
3-B35	LH	RSA17006-107	3286-V-490 (2)	A311-Z-416 (17)	-	A3270-V-1036	-
	RH	RSA17006-107	3286-V-490 (2)	A311-Z-416 (17)	-	A3270-V-1036	-
3-B36	LH	RSA17006-107	-	A333-E-2631	3219-S-4309	A3270-V-1036	-
	RH	RSA17006-107	-	A333-E-2631	3219-S-4309	A3270-V-1036	-
3-B37	LH	RSA17006-107	-	A333-F-2658	3219-Y-4471	A3270-V-1036	-
	RH	RSA17006-107	-	A333-F-2658	3219-Y-4471	A3270-V-1036	-
3-B38	LH	RSA17006-107	-	A333-E-2631	3219-S-4309	A3270-V-1036	-
	RH	RSA17006-107	-	A333-E-2631	3219-S-4309	A3270-V-1036	-
3-B39	LH	RSA17006-77	-	A333-E-2631	3219-S-4309	A3270-V-1036	-
	RH	RSA17006-77	-	A333-E-2631	3219-S-4309	A3270-V-1036	-
3-B40	LH	RSA17006-101	-	A333-F-2658	3219-Y-4471	A3270-V-1036	-
	RH	RSA17006-102	-	A333-F-2658	3219-Y-4471	A3270-V-1036	-
3-B41	LH	RSA17006-103	-	A333-E-2631	3219-S-4309	A3270-V-1036	-
	RH	RSA17006-103	-	A333-E-2631	3219-S-4309	A3270-V-1036	-
3-B42	LH	RSA17006-95	-	A333-F-2658	-	A3270-V-1036	-
	RH	RSA17006-95	-	A333-F-2658	-	A3270-V-1036	-

(2) No longer available with no replacement.

(17) Wheel assembly (80, Fig 3).

DRUM BRAKES AND RELATED PARTS (Continued)

FDS-1800 Series and FDS-2100 Series

Ref	LH/ RH	Brake Assembly (69, Fig 3)	Adapter/ Slinger (70, Fig 3)	Wheel/ Hub (77, 80, Fig 3)	Brake Drum (87, Fig 3)	Flange (88, Fig 3)	Wheel Spacer (86, Fig 3)
3-B43	LH	RSA17006-103	-	A333-F-2658	-	A3270-V-1036	-
	RH	RSA17006-103	-	A333-F-2658	-	A3270-V-1036	-
3-B44	LH	RSA17006-111	-	A333-F-2658	-	A3270-V-1036	-
	RH	RSA17006-111	-	A333-F-2658	-	A3270-V-1036	-

WHEEL SEALS AND BEARINGS

FDS-1800 Series and FDS-2100 Series

Ref	Inner Bearing Cup (76, Fig 3)	Inner Bearing Cone (75, Fig 3)	Outer Bearing Cup (81, Fig 3)	Outer Bearing Cone (82, fig 3)	Oil Seal (74, Fig 3)
3-G1	JHM-720210	JHM-720249	52637	52375	A1205-Y-1533

CARRIERS

FDS-1800 Series and FDS-2100 Series

Axle Model Number	Carrier Assembly (Less Yoke)	Axle Ratios
FDS-1805-NX-7	L62-3800-N-456	10.11
FDS-1805-NX-10	L62-3800-N-456	10.11
FDS-1805-NX-12	L62-3800-N-456	7.03, 10.11
FDS-1805-NX-14	L62-3800-N-456	6.58, 10.11
FDS-1805-NX-15	L62-3800-N-456	7.03, 8.04, 9.04, 10.11
FDS-1805-NX-16	L62-3800-N-456	6.19, 7.03, 9.04, 10.11, 10.23
FDS-1805-NX-20	L62-3800-N-456	7.03, 9.04, 10.11, 10.23
FDS-1805-RDH-16	L62-3800-N-456	5.83, 5.91, 6.38, 6.51, 6.58, 6.77, 7.79, 8.04
FDS-1805-RDH-20	L62-3800-N-456	6.26
FDS-1805-RSA-16	L62-3800-N-456	5.32, 5.54, 6.19, 6.38, 6.77, 7.21, 7.42
FDS-1805-RSA-20	L62-3800-N-456	7.64
FDS-1805-RSA-29	L62-3800-N-456	6.19
FDS-1805-RSA-31	L62-3800-N-456	7.64
FDS-1805-RSA-32	L62-3800-N-456	5.54, 6.77, 7.42, 7.64, 8.04
FDS-1805-RSA-33	L62-3800-N-456	6.51, 6.58, 7.64, 8.04
FDS-1805-RSA-35	L62-3800-N-456	5.83, 6.19, 6.77, 7.21, 7.64, 8.18
FDS-1805-RSA-38	L62-3800-N-456	6.58
FDS-1805-RSA-40	L62-3800-N-456	5.91, 6.26, 6.51, 7.03
FDS-1805-RSA-43	L62-3800-N-456	9.06, 11.59
FDS-1805-RSA-44	L62-3800-N-456	6.19, 6.77, 7.21, 8.18
FDS-1805-RSA-52	L62-3800-N-456	5.54, 6.19, 6.26, 6.38, 6.77, 6.99, 7.09
FDS-1805-RSA-54	L62-3800-N-456	7.03
FDS-1805-RSA-60	L62-3800-N-456	6.58, 7.64
FDS-1805-RSA-61	L62-3800-N-456	5.83, 6.19, 6.77, 7.21, 7.42, 8.18, 9.06
FDS-1805-RSA-63	L62-3800-N-456	5.82, 6.19, 6.26, 6.36, 6.58, 6.77, 6.99, 7.09, 7.21, 7.79
FDS-1805-RSA-64	L62-3800-N-456	5.91, 7.03, 9.04
FDS-1805-RSA-67	L62-3800-N-456	9.23
FDS-1805-RSA-69	L62-3800-N-456	6.19, 6.26, 6.58, 6.77, 7.03, 7.42, 7.92, 8.04, 9.49, 10.11
FDS-1805-RSA-70	L62-3800-N-456	4.93, 5.32, 5.54, 5.91, 6.19, 6.38, 8.04, 10.11
FDS-1805-RSA-73	L62-3800-N-456	6.26, 7.42
FDS-1805-RSA-74	L71-3800-N-456 (1)	7.27
FDS-1805-RSA-75	L62-3800-N-456	9.04
FDS-1805-RSA-77	L59-3800-N-456	9.76
FDS-1805-RSA-87	L62-3800-N-456	6.19, 6.26, 6.58, 6.77, 7.03, 7.09, 7.21, 7.42, 7.92, 8.04, 8.38, 9.04, 9.49, 10.11, 10.23
FDS-1805-RSA-89	L62-3800-N-456	4.93, 5.32, 5.54, 5.91, 6.19, 6.38, 8.04, 10.11
FDS-1805-RSA-90	L62-3800-N-456	5.83, 6.19, 6.77, 7.21, 7.42, 8.18, 9.06
FDS-1805-RSA-91	L59-3800-N-456	9.76, 14.53
FDS-1805-RSA-93	L62-3800-N-456	6.51, 6.77
FDS-1805-RSA-95	L62-3800-N-456	6.19, 6.58, 7.03, 7.09, 7.92, 8.04, 8.38
FDS-1805-RSA-96	L62-3800-N-456	7.21, 7.64, 10.11
FDS-1805-RSA-97	L62-3800-N-456	7.64
FDS-1805-RSA-99	L62-3800-N-456	8.04
FDS-1805-RSA-100	L62-3800-N-456	9.76
FDS-1805-RSA-101	L62-3800-N-456	9.76

(1) No less yoke version currently available.

CARRIERS

FDS-1800 Series and FDS-2100 Series (Continued)

Axle Model Number	Carrier Assembly (Less Yoke)	Axle Ratios
FDS-1805-RSA-103	L78-3800-N-456	6.19
FDS-1805-RSA-106	L62-3800-N-456	4.76, 6.51
FDS-1805-RSA-108	L62-3800-N-456	8.65
FDS-1805-RSA-109	L62-3800-N-456	6.77
FDS-1805-RSA-110	L62-3800-N-456	6.58
FDS-1805-RSA-112	L62-3800-N-456	6.77
FDS-1805-RSA-115	L62-3800-N-456	5.32
FDS-1805-RSA-117	L78-3800-N-456	6.58, 7.21, 7.42, 7.64
FDS-1805-RSA-121	L62-3800-N-456	9.04
FDS-1805-RSA-126	L62-3800-N-456	5.54, 5.83, 6.19, 6.58, 7.21
FDS-1805-RSA-128	L62-3800-N-456	14.53
FDS-1805-RSA-129	A25-3800-M-689	7.42, 7.64
FDS-1805-RSA-134	A25-3800-M-689	7.64
FDS-1807-RDH-3	A45-3200-C-1433	6.83
FDS-1807-RSA-7	A45-3200-C-1433	5.29, 5.57, 6.14, 6.83, 7.40
FDS-1807-RSA-8	A43-3200-C-1433	6.14, 6.83, 7.40
FDS-1807-RSA-15	A45-3200-C-1433	6.17, 6.83
FDS-1807-RSA-29	A43-3200-C-1433	6.17, 6.83, 7.40
FDS-1807-RSA-30	A45-3200-C-1433	5.57, 6.17, 6.83, 7.40
FDS-1807-RSA-32	A43-3200-C-1433	6.17
FDS-1807-RSA-37	A45-3200-C-1433	6.83
FDS-1807-RSA-38	A43-3200-C-1433	6.83
FDS-1807-RSA-44	A43-3200-C-1433	6.17, 6.83, 7.40
FDS-1807-RSA-45	A45-3200-C-1433	5.57, 6.17, 6.83, 7.40
FDS-1807-RSA-46	A43-3200-C-1433	6.83
FDS-1807-RSA-48	A43-3200-C-1433	6.17, 6.83
FDS-1807-RSA-49	A45-3200-C-1433	5.57, 6.17, 6.83, 7.40
FDS-1807-RSA-50	A43-3200-C-1433	6.17
FDS-1807-RSA-51	A45-3200-C-1433	5.29
FDS-1807-RSA-53	A43-3200-C-1433	5.57
FDS-1807-RSA-55	A43-3200-C-1433	6.17
FDS-1807-RSA-56	A43-3200-C-1433	7.33
FDS-1807-RSA-57	A43-3200-C-1433	6.14, 6.17
FDS-1807-RSA-58	A43-3200-C-1433	5.29
FDS-1807-RSA-59	A45-3200-C-1433	5.29, 5.57, 6.14, 6.17, 6.83, 7.33, 7.40
FDS-1807-RSA-60	A43-3200-C-1433	4.10, 4.89, 5.29, 5.57, 6.14, 6.17, 6.83, 7.33, 7.40
FDS-1807-RSA-61	A43-3200-C-1433	6.14, 6.17
FDS-1807-RSA-63	A43-3200-C-1433	6.14
FDS-1807-RSA-64	A43-3200-C-1433	5.29
FDS-1807-RSA-68	A43-3200-C-1433	6.14, 6.83
FDS-1807-RSA-69	A43-3200-C-1433	6.14
FDS-1807-RSA-76	A45-3200-C-1433	5.57, 6.14
FDS-1807-RSA-77	A43-3200-C-1433	5.29, 5.57, 6.14, 6.17, 6.83, 7.40
FDS-1807-RSA-81	A43-3200-C-1433	6.14
FDS-1807-RSA-89	A45-3200-C-1433	4.33, 4.63, 4.89, 6.83
FDS-1807-RSA-90	A43-3200-C-1433	6.14, 6.17, 6.83, 7.40
FDS-1807-RSA-91	A43-3200-C-1433	5.29, 6.17, 7.40

CARRIERS

FDS-1800 Series and FDS-2100 Series (Continued)

Axle Model Number	Carrier Assembly (Less Yoke)	Axle Ratios
FDS-1808-RSA-10	A32-3200-F-1436	5.29
FDS-1808-RSA-11	A32-3200-F-1436	4.63
FDS-1808-RSA-12	A32-3200-F-1436	7.40
FDS-1808-RSA-14	A39-3200-F-1436	6.14
FDS-1808-RSA-15	A32-3200-F-1436	4.63
FDS-1808-RSA-16	B13-3200-G-969 (1)	4.63
FDS-1808-RSA-18	A32-3200-F-1436	5.29
FDS-1808-RSA-19	A32-3200-F-1436	7.4
FDS-1808-RSA-21	A32-3200-F-1436	4.63, 5.29
FDS-1808-RSA-22	A32-3200-F-1436	7.40
FDS-1808-RSA-24	A32-3200-F-1436	6.17
FDS-1808-RSA-25	A32-3200-F-1436	4.63
FDS-1808-RSA-26	B13-3200-G-969 (1)	4.63
	A32-3200-F-1436	7.40
FDS-1808-RSA-27	A32-3200-F-1436	5.29
FDS-1808-RSA-30	A32-3200-F-1436	5.29
FDS-1808-RSA-31	A32-3200-F-1436	5.29
FDS-1808-RSA-32	A32-3200-F-1436	6.17, 7.40
FDS-1808-RSA-33	A96-3200-G-969 (1)	6.14
FDS-1808-RSA-34	A32-3200-F-1436	6.17
FDS-1808-RSA-35	A32-3200-F-1436	5.29
FDS-1808-RSA-36	A32-3200-F-1436	6.17
FDS-1808-RSA-38	A32-3200-F-1436	6.83
FDS-1808-RSA-41	A32-3200-F-1436	6.17
FDS-1808-RSA-42	A32-3200-F-1436	5.29
FDS-1808-RSA-46	A32-3200-F-1436	7.40
FDS-1808-RSA-47	A32-3200-F-1436	6.17
FDS-1808-RSA-49	A32-3200-F-1436	6.83
FDS-1808-RSA-50	A32-3200-F-1436	5.29, 6.83
FDS-1808-RSA-51	A32-3200-F-1436	7.40
FDS-1808-RSA-52	A32-3200-F-1436	6.17
FDS-1808-RSA-53	A32-3200-F-1436	4.63
FDS-1808-RSA-54	A32-3200-F-1436	5.29
FDS-1808-RSA-55	A32-3200-F-1436	6.17, 6.83, 7.40
FDS-1808-RSA-56	A32-3200-F-1436	5.29
FDS-1808-RSA-61	A32-3200-F-1436	6.17, 6.83, 7.40
FDS-1808-RSA-62	A32-3200-F-1436	5.29
FDS-1808-RSA-66	A32-3200-F-1436	6.83, 7.40
FDS-1808-RSA-70	A32-3200-F-1436	4.11, 5.29, 6.17, 6.83, 7.40
FDS-1808-RSA-76	A32-3200-F-1436	5.29, 6.83
FDS-1808-RSA-83	A32-3200-F-1436	4.63, 6.17, 6.83, 7.40
FDS-1808-RSA-84	A32-3200-F-1436	5.29
FDS-1808-RSA-85	A32-3200-F-1436	5.29
FDS-1808-RSA-86	A32-3200-F-1436	4.11, 5.29, 6.17, 6.83, 7.40
FDS-1808-RSA-88	A32-3200-F-1436	6.17, 6.83
FDS-1808-RSA-92	A32-3200-F-1436	6.17
FDS-1808-RSA-94	A5-3200-F-1436 (1)	4.11, 4.63, 6.17
FDS-1808-RSA-96	A32-3200-F-1436	6.17

(1) No less yoke version currently available.

CARRIERS

FDS-1800 Series and FDS-2100 Series (Continued)

Axle Model Number	Carrier Assembly (Less Yoke)	Axle Ratios
FDS-1808-RSA-97	A32-3200-F-1436	6.17
FDS-1808-RSA-100	A32-3200-F-1436	6.17, 7.40
FDS-1808-RSA-101	A32-3200-F-1436	6.17, 7.40
FDS-1808-RSA-105	A32-3200-F-1436	5.29
FDS-1808-RSA-106	A32-3200-F-1436	5.29
FDS-1808-RSA-107	A32-3200-F-1436	5.29
FDS-1808-RSA-108	A32-3200-F-1436	6.83
FDS-1808-RSA-120	A32-3200-F-1436	5.29
FDS-1808-RSA-121	A32-3200-F-1436	5.29
FDS-1808-RSA-122	A35-3200-F-1436 (1)	5.29
FDS-1808-RSA-124	A32-3200-F-1436	6.83
FDS-1808-RSA-131	A32-3200-F-1436	5.29
FDS-1808-RSA-132	A32-3200-F-1436	5.29, 6.17, 6.83, 7.40
FDS-1808-RSA-133	A32-3200-F-1436	5.29
FDS-1808-RSA-137	A32-3200-F-1436	5.29
FDS-1808-RSA-138	A32-3200-F-1436	4.63, 5.29, 6.17, 7.40
FDS-1808-RSA-139	A32-3200-F-1436	6.17
FDS-1808-RSA-140	A32-3200-F-1436	4.63, 5.29, 6.17, 6.83, 7.40
FDS-1808-RSA-146	A32-3200-F-1436	4.63, 6.17, 6.83
FDS-1808-RSA-147	A32-3200-F-1436	4.63
FDS-1808-RSA-152	A32-3200-F-1436	5.29
FDS-1808-RSA-153	A32-3200-F-1436	6.17
FDS-2100-RSA-13	A32-3200-F-1436	5.29
FDS-2100-RSA-14	A32-3200-F-1436	6.83
FDS-2100-RSA-16	A32-3200-F-1436	5.29, 6.17, 6.83
FDS-2100-RSA-18	A32-3200-F-1436	6.17
FDS-2100-RSA-21	A32-3200-F-1436	5.29, 6.17, 6.83
FDS-2100-RSA-23	A32-3200-F-1436	6.50
FDS-2100-RSA-29	A35-3200-F-1436 (1)	5.29
FDS-2100-RSA-32	A35-3200-F-1436 (1)	5.29, 6.17
FDS-2100-RSA-33	A32-3200-F-1436	5.29, 6.17, 6.83
FDS-2100-RSA-35	A32-3200-F-1436	5.29, 6.17, 6.83, 7.40
FDS-2100-RSA-36	A35-3200-F-1436 (1)	5.29
FDS-2100-RSA-39	A32-3200-F-1436	6.17, 7.40
FDS-2100-RSA-40	A32-3200-F-1436	4.63, 5.29
FDS-2100-RSA-42	A32-3200-F-1436	4.11
FDS-2100-RSA-43	A32-3200-F-1436	4.11, 5.29
FDS-2100-RSA-44	A32-3200-F-1436	5.29, 6.17
FDS-2100-RSA-51	A32-3200-F-1436	6.17, 6.83
FDS-2101-RSA-9	A45-3200-C-1433	6.17
FDS-2101-RSA-14	A33-3200-C-1433	5.29
FDS-2101-RSA-21	A45-3200-C-1433	6.83
FDS-2101-RSA-32	A45-3200-C-1433	4.11, 4.63, 4.89, 5.38, 5.57, 6.17
FDS-2101-RSA-35	A45-3200-C-1433	6.83

(1) No less yoke version currently available.

CARRIERS

FDS-1800 Series and FDS-2100 Series (Continued)

Axle Model Number	Carrier Assembly (Less Yoke)	Axle Ratios
FDS-2102-NX-2	L62-3800-N-456	9.76
FDS-2102-RSA-7	L62-3800-N-456	5.91, 6.38, 9.76
FDS-2102-RSA-8	L62-3800-N-456	8.38
FDS-2102-RSA-9	L62-3800-N-456	6.77, 7.42, 8.38, 9.06
FDS-2102-RSA-10	L62-3800-N-456	7.42
FDS-2102-RSA-15	L62-3800-N-456	5.32, 5.54, 5.83, 6.38
FDS-2102-RSA-17	L62-3800-N-456	14.53
FDS-2102-RSA-19	L62-3800-N-456	6.77
FDS-2102-RSA-20	L62-3800-N-456	4.76, 6.38, 8.04
FDS-2102-RSA-24	L62-3800-N-456	5.82, 5.91, 6.38, 6.51, 6.58, 6.77, 7.92
FDS-2102-RSA-25	L62-3800-N-456	5.82, 6.38, 6.77, 7.03, 7.21, 7.79, 8.04

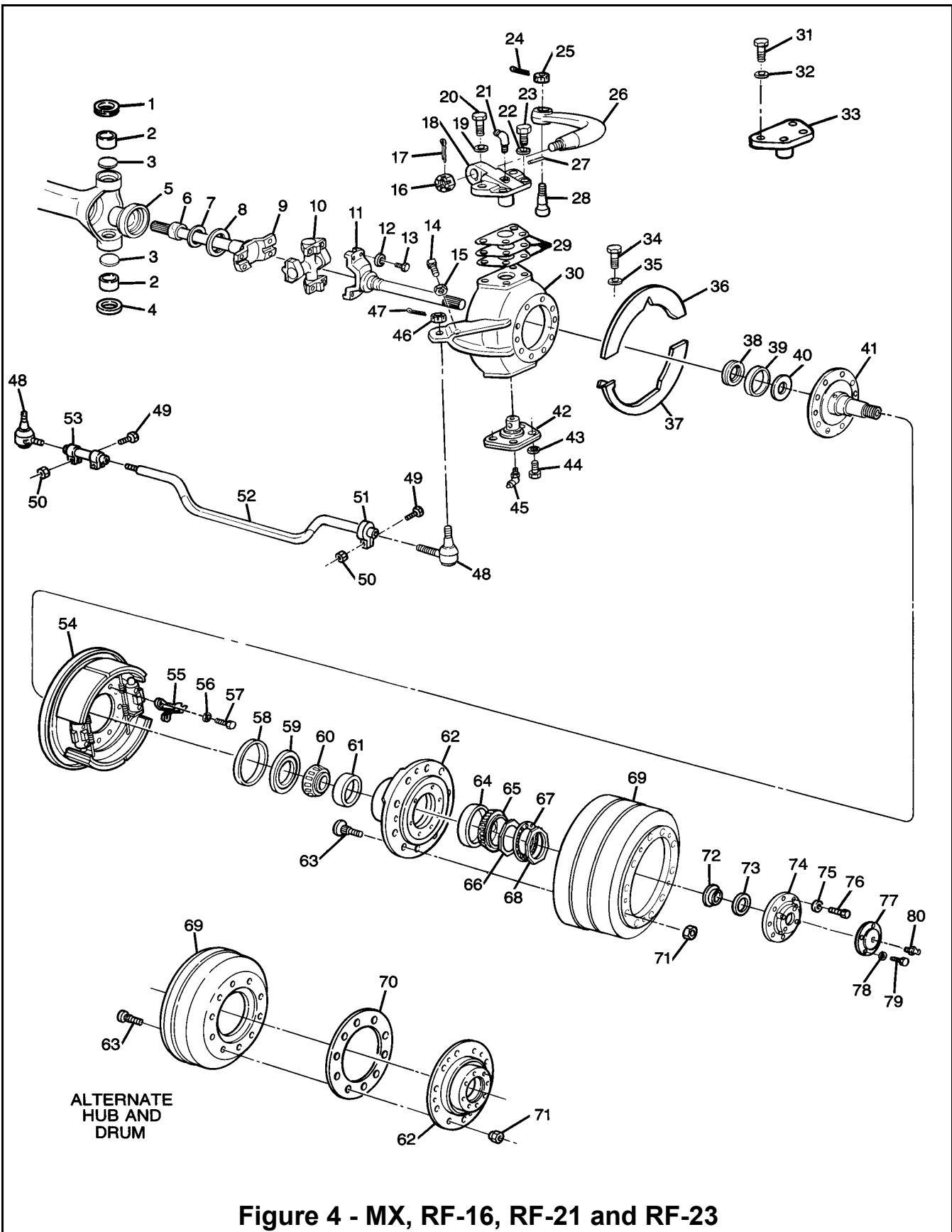


FIGURE 4

MX, RF-16, RF-21, RF-22 and RF-23

Item	Description	Part Number	Comments
1	Grease Seal	1205-A-1743	
2	Bushing	1225-U-1191	2.94" O.D. (installed), 2.75" I.D., 1.625" Length (metric)
		1225-L-974	3.00" O.D. (installed), 2.75" I.D., 1.88" Length
3	Expansion Plug	1250-B-470	
4	Thrust Bearing	A-1228-X-1220	
5	Adapter	3268-F-1124	Not needed for all specs
6	Bushing	1825-X-310	
7	Thrustwasher	1229-A-4551	3.497" O.D.
		1229-U-4623	4.004" O.D.
8	Oil Seal	A-1205-A-1535	
9	Shaft/Yoke - Carrier Side	See Page 50	
10	Cross/U-Joint	See Page 50	
11	Shaft/Yoke - Wheel Side	See Page 50	
12	Washer	Not sold separately	Included with Item 10
13	Capscrew	Not sold separately	Included with Item 10
14	Stopscrew	26-X-243	
15	Stopscrew Jam Nut	N-312-1	
16	Nut	13-X-184	
17	Cotter Pin	K-2618	
18	Upper Adapter	See Pages 52-54	
19	Washer	1229-Y-1559	O.D. 1.75", I.D. 1.03"
		1229-M-1625	O.D. 1.50", I.D. 0.91"
20	Capscrew - Long	10-X-1113	1.00"-8 thread, 2.50" long
		S-21422A-2	0.875"-9 thread, 2.75" long
21	Grease Fitting	1199-B-3226	
22	Washer	1229-Y-1559	
23	Capscrew - Short	10-X-1112	
24	Cotter Pin	K-2416	
25	Nut	N-312-1	
26	Steering Arm	See Pages 52-54	
27	Key	16-X-202	
28	Steering Arm Ball	See Pages 52-54	
29	Shims	2203-K-8019	4.56" I.D., .003" Thickness, 4 holes 1.031" dia.
		2203-L-8020	4.56" I.D., .005" Thickness, 4 holes 1.031" dia.
		2203-M-8021	4.56" I.D., .010" Thickness, 4 holes 1.031" dia.
		2803-G-2789	4.56" I.D., .003" Thickness, 6 holes 0.906" dia.
		2803-H-2790	4.56" I.D., .005" Thickness, 6 holes 0.906" dia.
		2803-J-2792	4.56" I.D., .010" Thickness, 6 holes 0.906" dia.
30	Knuckle	See Pages 52-54	
31	Capscrew	10-X-1112	
32	Washer	1229-B-1666	
33	Upper Cap	See Pages 52-54	
34	Capscrew	S-265-2	
35	Washer	1229-B-1666	
36,37	Dust Shield Assy. - LH	A3-3236-C-2031	2 piece. Use on wedge brakes
36,37	Dust Shield Assy. - RH	A2-3236-C-2031	2 piece. Use on wedge brakes.
36,37	Dust Shield Assy. - LH & RH	A-3264-Q-1291	1 piece. Use on QPlus brakes.
38	Oil Seal	A-1205-Z-1534	
39	Sleeve	3280-S-6649	

MX, RF-16, RF-21, RF-22 and RF-23 (Continued)

Item	Description	Part Number	Comments
40	Washer	1229-H-2920	Use with A-3213-B-1588 spindle
		1229-U-4623	Use with A-3213-L-1780 & A-3213-U-1815 spindles
41	Spindle Assembly	See Pages 52-54	
42	Lower Cap	See Pages 52-54	
43	Washer	1229-V-1556	
44	Capscrew	S-21218A-2	
45	Grease Fitting	1199-B-3226	
46	Nut	N-214-1	7/8"-14
		13-X-184	1-1/4"-12
47	Cotter Pin	K-2412	1-1/2" Length
		K-2618	2-1/4" Length
48	Tie Rod End	See Page 51	
49	Capscrew	See Page 51	
50	Nut	See Page 51	
51	Clamp	See Page 51	
52	Crosstube	See Page 51	
53	Turnbuckle Clamp	See Page 51	
54	Brake Assembly	See Page 55-56	
55	Mounting Bracket	3299-A-5279	
56	Washer	1229-W-1557	
57	Capscrew	S-21018A-2	
58	Sleeve	1199-T-3166	
59	Oil Seal	See Page 51	
60	Inner Bearing Cone	See Page 51	
61	Inner Bearing Cup	See Page 51	
62	Hub	See Page 55-56	
63	Wheel Stud	20-X-2167	LH, 3/4"-16 thread, 2.38" long
		20-X-2166	RH, 3/4"-16 thread, 2.38" long
		20-X-1839	LH, 1-1/8"-16 thread, 3.50" long
		20-X-1840	RH, 1-1/8"-16 thread, 3.50" long
		20-X-2353	LH, 1-1/8"-16 thread, 4.00" long
		20-X-2354	RH, 1-1/8"-16 thread, 4.00" long
		20-X-1589	LH, 1-1/8"-16 thread, 4.50" long
		20-X-1590	RH, 1-1/8"-16 thread, 4.50" long
		20-X-1423	LH, 1-5/16"-12 thread, 4.00" long
		20-X-1422	RH, 1-5/16"-12 thread, 4.00" long
		20-X-2271	LH, 1-5/16"-12 thread, 4.47" long
		20-X-2270	RH, 1-5/16"-12 thread, 4.47" long
		20-X-2005	LH, 1-5/16"-12 thread, 4.88" long
		20-X-2006	RH, 1-5/16"-12 thread, 4.88" long
		20-X-2174	RH, M20 X 1.5 thread, 2.56" long
20-X-2390	RH, M22 X 1.5 thread, 4.50" long		
20-X-2392	RH, M22 X 1.5 thread, 4.00" long		
64	Outer Bearing Cup	See Page 51	
65	Outer Bearing Cone	See Page 51	
66	Nut	1227-D-1018	
67	Lockwasher	1229-L-2560	
68	Nut	1227-K-1025	
69	Brake Drum	See Page 55-56	
70	Wheel Spacer	See Page 55-56	

MX, RF-16, RF-21, RF-22 and RF-23 (Continued)

Item	Description	Part Number	Comments
71	Nut	1199-M-117	LH, 1-1/8"-16
		1199-N-118	RH, 1-1/8"-16
		1199-Y-1351	LH, 1-5/16"-12
		1199-X-1350	RH, 1-5/16"-12
72	Retainer	1205-N-2146	
73	Felt	5-X-1050	
74	Flange	See Page 55-56	
75	Washer	1229-U-1503	
76	Capscrew	10-X-1594	
77	Flange Cap	See Page 55-56	
78	Washer	1229-C-1667	
79	Capscrew	S-266-2	
80	Grease Fitting	1199-N-1860	

4

AXLE MODEL REFERENCE CHARTS

MX

Axle Model Number MX-	Shaft/Yoke/Joint Assembly Pg 50	Crosstube Assembly Pg 51	Knuckle and Related Parts Pg 53-54	Brake and Related Parts Pg 55-56	Wheel End Brgs. & Seals Pg 51
10-120-DANL-1	4-J12	4-U3	4-K45	4-B19	4-G2
12-120-DANL-1	4-J12	4-U3	4-K45	4-B19	4-G2
14-120-DANL-1	4-J12	4-U3	4-K45	4-B20	4-G2
16-120-DANL-1	4-J12	4-U3	4-K45	4-B21	4-G2
16-120-DANL-2	4-J12	4-U3	4-K46	4-B21	4-G2
22-160-RANL-1	4-J5	4-U1	4-K48	4-B18	4-G2
23-160-DBNL-1	4-J11	4-U1	4-K49	4-B18	4-G2
23-160-RANL-1	4-J5	4-U1	4-K24	4-B18	4-G2
23-160-RANL-4	4-J5	4-U1	4-K50	4-B18	4-G2
23-160-RBNL-5	4-J5	4-U1	4-K24	4-B18	4-G2

RF-16

Axle Model Number RF-16-	Shaft/Yoke/Joint Assembly Pg 50	Crosstube Assembly Pg 51	Knuckle and Related Parts Pg 52-54	Brake and Related Parts Pg 55-56	Wheel End Brgs. & Seals Pg 51
145-NCSF-59	4-J8	4-U1	4-K33	4-B8	4-G1
145-NCSF-77	4-J10	4-U2	4-K44	4-B8	4-G1
145-NFLF-67	4-J6	4-U1	4-K30	4-B13	4-G2
145-NFLF-71	4-J6	4-U1	4-K28	4-B13	4-G2
145-NFLF-85	4-J6	4-U1	4-K28	4-B22	4-G2
145-NFQF-44	4-J6	4-U1	4-K23	4-B13	4-G2
145-NFQF-53	4-J6	4-U1	4-K28	4-B13	4-G2
145-NFQF-62	4-J6	4-U1	4-K30	4-B13	4-G2
145-NFSF-6	4-J2	4-U1	4-K3	4-B3	4-G1
145-NFSF-10	4-J2	4-U1	4-K2	4-B3	4-G1
145-NFSF-13	4-J2	4-U1	4-K6	4-B4	4-G1
145-NFSF-30	4-J2	4-U1	4-K31	4-B4	4-G1
145-NFSF-33	4-J2	4-U1	4-K7	4-B3	4-G1
145-NFSF-34	4-J2	4-U1	4-K35	4-B3	4-G1

AXLE MODEL REFERENCE CHARTS

RF-21

Axle Model Number RF-21-	Shaft/Yoke/Joint Assembly Pg 50	Crosstube Assembly Pg 51	Knuckle and Related Parts Pg 52-54	Brake and Related Parts Pg 55-56	Wheel End Brgs. & Seals Pg 51
155-NFSF-1	4-J1	4-U1	4-K8	4-B5	4-G1
155-NFSF-3	4-J1	4-U1	4-K9	4-B6	4-G1
155-NFSF-4	4-J1	4-U1	4-K4	4-B2	4-G1
155-NFSF-8	4-J1	4-U1	4-K10	4-B4	4-G1
155-NFSF-15	4-J1	4-U1	4-K11	4-B4	4-G1
155-NFSF-20	4-J1	4-U1	4-K12	4-B7	4-G1
155-NFSF-23	4-J1	4-U1	4-K9	4-B6	4-G1
155-NHSF-6	4-J1	4-U1	4-K13	4-B4	4-G1
155-NFSF-27	4-J1	4-U1	4-K36	4-B6	4-G1
155-NFLF-50	4-J7	4-U1	4-K24	4-B14	4-G2
155-NFLF-55	4-J7	4-U1	4-K26	4-B13	4-G2
155-NFLF-57	4-J7	4-U1	4-K24	4-B14	4-G2
155-NFLF-72	4-J7	4-U1	4-K25	4-B18	4-G2
155-NFLF-73	4-J7	4-U1	4-K24	4-B14	4-G2
156-NFQF-23	4-J7	4-U1	4-K24	4-B12	4-G2
156-NFQF-32	4-J7	4-U1	4-K24	4-B14	4-G2
156-NFQF-33	4-J7	4-U1	4-K25	4-B12	4-G2
156-NFQF-48	4-J7	4-U1	4-K25	4-B18	4-G2
156-NFSF-1	4-J1	4-U1	4-K5	4-B1	4-G1
156-NFSF-3	4-J1	4-U1	4-K1	4-B2	4-G1
156-NFSF-7	4-J1	4-U1	4-K9	4-B8	4-G1
156-NFSF-8	4-J1	4-U1	4-K14	4-B9	4-G1
156-NFSF-10	4-J1	4-U1	4-K4	4-B6	4-G1
156-NFSF-14	4-J1	4-U1	4-K15	4-B6	4-G1
156-NHLF-62	4-J7	4-U1	4-K32	4-B13	4-G2
156-NHSF-5	4-J1	4-U1	4-K13	4-B4	4-G1
156-NFSF-28	4-J1	4-U1	4-K37	4-B6	4-G1
160-NCLF-71	4-J5	4-U1	4-K24	4-B14	4-G2
160-NCLF-91	4-J5	4-U1	4-K24	4-B14	4-G2
160-NCLF-92	4-J5	4-U1	4-K25	4-B18	4-G2
160-NCLF-93	4-J5	4-U1	4-K47	4-B13	4-G2
160-NCLF-96	4-J5	4-U1	4-K24	4-B14	4-G2
160-NCQF-16	4-J11	4-U1	4-K32	4-B13	4-G2
160-NCQF-22	4-J5	4-U1	4-K47	4-B13	4-G2
160-NCQF-27	4-J11	4-U1	4-K32	4-B13	4-G2
160-NCSF-2	4-J4	4-U1	4-K16	4-B4	4-G1
160-NCSF-5	4-J4	4-U1	4-K13	4-B10	4-G1
160-NCSF-6	4-J4	4-U1	4-K16	4-B4	4-G1
160-NCSF-12	4-J3	4-U1	4-K38	4-B10	4-G1
160-NCQF-26	4-J5	4-U1	4-K31	4-B13	4-G2
160-NCQF-42	4-J5	4-U1	4-K24	4-B14	4-G2
160-NFLF-58	4-J5	4-U1	4-K26	4-B12	4-G2
160-NFLF-84	4-J5	4-U1	4-K51	4-B13	4-G2
160-NLFL-94	4-J5	4-U1	4-K28	4-B12	4-G2
160-NLFL-100	4-J5	4-U1	4-K28	4-B18	4-G2
160-NFQF-24	4-J5	4-U1	4-K26	4-B12	4-G2
160-NFQF-34	4-J5	4-U1	4-K28	4-B13	4-G2
160-NFQF-37	4-J5	4-U1	4-K32	4-B12	4-G2
160-NFQF-41	4-J9	4-U1	4-K27	4-B12	4-G2

AXLE MODEL REFERENCE CHARTS

RF-21 (Continued)

Axle Model Number RF-21-	Shaft/Yoke/Joint Assembly Pg 50	Crosstube Assembly Pg 51	Knuckle and Related Parts Pg 52-54	Brake and Related Parts Pg 55-56	Wheel End Brgs. & Seals Pg 51
160-NFQF-44	4-J5	4-U1	4-K32	4-B12	4-G2
160-NFQF-46	4-J5	4-U1	4-K28	4-B18	4-G2
355-NFLF-49	4-J7	4-U1	4-K29	4-B13	4-G2
355-NFSF-1	4-J1	4-U1	4-K8	4-B5	4-G1
355-NFSF-5	4-J1	4-U1	4-K14	4-B9	4-G1
355-NFSF-12	4-J1	4-U1	4-K17	4-B5	4-G1
355-NFSF-9	4-J1	4-U1	4-K43	4-B9	4-G1
355-NFSF-16	4-J1	4-U1	4-K18	4-B4	4-G1
355-NFSF-18	4-J1	4-U1	4-K41	4-B17	4-G1
355-NFSF-25	4-J1	4-U1	4-K42	4-B5	4-G1

RF-22

Axle Model Number RF-22-	Shaft/Yoke/Joint Assembly Pg 50	Crosstube Assembly Pg 51	Knuckle and Related Parts Pg 53-54	Brake and Related Parts Pg 55	Wheel End Brgs. & Seals Pg 51
166-NCLF-2	4-J5	4-U1	4-K24	4-B14	4-G2
166-NCLF-8	4-J5	4-U1	4-K53	4-B13	4-G2
166-NFLF-1	4-J5	4-U1	4-K24	4-B14	4-G2
166-NFLF-3	4-J5	4-U1	4-K29	4-B18	4-G2
166-NFLF-4	4-J5	4-U1	4-K29	4-B18	4-G2
166-NFLF-5	4-J5	4-U1	4-K29	4-B13	4-G2
166-NFLF-7	4-J5	4-U1	4-K26	4-B13	4-G2
166-NFLF-9	4-J5	4-U1	4-K53	4-B13	4-G2
166-NFLF-10	4-J5	4-U1	4-K26	4-B18	4-G2
166-NFLF-11	4-J5	4-U1	4-K26	4-B18	4-G2
166-NFLF-12	4-J5	4-U1	4-K29	4-B18	4-G2
166-NFLF-13	4-J5	4-U1	4-K26	4-B18	4-G2
166-NFLF-14	4-J5	4-U1	4-K29	4-B13	4-G2

RF-23

Axle Model Number RF-23-	Shaft/Yoke/Joint Assembly Pg 50	Crosstube Assembly Pg 51	Knuckle and Related Parts Pg 53-54	Brake and Related Parts Pg 55	Wheel End Brgs. & Seals Pg 51
180-NCLF-50	4-J5	4-U1	4-K47	4-B18	4-G2
180-NCLF-52	4-J5	4-U1	4-K26	4-B13	4-G2
180-NCSF-2	4-J4	4-U1	4-K19	4-B4	4-G1
180-NCSF-8	4-J4	4-U1	4-K20	4-B4	4-G1
180-NFLF-63	4-J11	4-U1	4-K52	4-B12	4-G2
180-NFSF-10	4-J4	4-U1	4-K39	4-B16	4-G1
180-NFSF-13	4-J4	4-U1	4-K21	4-B4	4-G1
180-NFSF-16	4-J4	4-U1	4-K21	4-B11	4-G1
180-NFSF-22	4-J4	4-U1	4-K22	4-B6	4-G1
180-NFSF-27	4-J4	4-U1	4-K40	4-B15	4-G1
180-NFSF-28	4-J4	4-U1	4-K40	4-B4	4-G1
180-NFQF-31	4-J5	4-U1	4-K26	4-B12	4-G2
180-NFQF-34	4-J5	4-U1	4-K29	4-B13	4-G2
180-NFQF-38	4-J5	4-U1	4-K28	4-B12	4-G2

SHAFT/YOKE/JOINT ASSEMBLIES

MX, RF-16, RF-21, RF-22 and RF-23

Ref	LH/ RH	Shaft/Yoke/Joint Assembly (9-13, Fig 4)	Shaft/Yoke - Carrier Side (9, Fig 4)	Shaft/Yoke - Wheel Side (11, Fig 4)	Cross/U-Joint (10, Fig 4)															
4-J1	LH	A2-3205-B-1120	(13)	(13)	(13)															
	RH	A2-3205-B-1120																		
4-J2	LH	A5-3205-B-1120	(13)	(13)	(13)															
	RH	A3205-B-1120																		
4-J3	LH	A3202-Z-9984S				950NYSM38-20	950NYSM38-1	CP950N												
	RH	A3202-A-9985S				950NYSM38-21														
4-J4	LH	A3202-A-9985S				950NYSM38-21														
	RH	A3202-Z-9984S				950NYSM38-20														
4-J5	LH	A1-3205-A-1119				(13)	(13)	(13)												
	RH	A2-3205-A-1119																		
4-J6	LH	A7-3205-A-1119							(13)	(13)	(13)									
	RH	A6-3205-A-1119																		
4-J7	LH	A5-3205-A-1119										(13)	(13)	(13)						
	RH	A5-3205-A-1119																		
4-J8	LH	A3205-B-1120	(13)	(13)	(13)															
	RH	A5-3205-B-1120																		
4-J9	LH	A3-3205-A-1119													(13)	(13)	(13)			
	RH	A4-3205-A-1119																		
4-J10	LH	A6-3205-B-1120																(13)	(13)	(13)
	RH	A1-3205-B-1120																		
4-J11	LH	A2-3205-A-1119				(13)	(13)	(13)												
	RH	A1-3205-A-1119																		
4-J12	LH	A3205-W-1115							(13)	(13)	(13)									
	RH	A3205-X-1116																		

(13) Not sold separately.

CROSSTUBE ASSEMBLIES

MX, RF-16, RF-21, RF-22 and RF-23

Ref	Crosstube Assembly (48 - 53, Fig 4)	Tie Rod End LH or RH (48, Fig 4)	Tie Rod End LH or RH (48, Fig 4)	Crosstube with Clamps (49 - 53, Fig 4)	Crosstube (13) (52, Fig 4)
4-U1	A1-3102-D-4424	A3144-Y-1091	A3144-X-1090	A3102-D-4424	3102-D-4424
4-U2	A1-3102-S-4413	A3144-Y-1091	A3144-V-1036	A3102-S-4413	3102-S-4413
4-U3	A2-3102-Z-3458	A3144-E-525	A3144-D-524	A3102-Z-3458	3102-Z-3458

4

(13) Not sold separately.

WHEEL SEALS AND BEARINGS

MX, RF-16, RF-21, RF-22 and RF-23

Ref	Inner Bearing Cup (61, Fig 4)	Inner Bearing Cone (60, Fig 4)	Outer Bearing Cup (64, Fig 4)	Outer Bearing Cone (65, Fig 4)	Oil Seal (59, Fig 4)
4-G1	JHM-720210	JHM-720249	52637	52375	A1205-Y-1533
4-G2	52618	52400	592A	594A	A1205-P-2434

KNUCKLES AND RELATED PARTS

MX, RF-16, RF-21, RF-22 and RF-23

Ref	LH/ RH	Knuckle (30, Fig 4)	Steering Arm (26, Fig 4)	Upper Adapter/Cap (18, 33, Fig 4)	Steering Arm Ball (28, Fig 4)	Lower Cap (42, Fig 4)	Spindle Assembly (41, Fig 4)
4-K1	LH	3111-A-2471	3133-S-6935K	3268-W-1115	-	3262-U-1139	A3213-B-1588
	RH	3111-B-2472	-	3262-T-358	-	3262-U-1139	A3213-B-1588
4-K2	LH	3111-E-2475	3133-B-6788K	3268-W-1115	2110-V-100	3262-U-1139	A3213-B-1588
	RH	3111-F-2476	3133-R-6934	3268-X-1116	2110-V-100	3262-U-1139	A3213-B-1588
4-K3	LH	3111-E-2475	3133-Q-7245	3268-W-1115	-	3262-U-1139	A3213-B-1588
	RH	3111-F-2476	-	3262-T-358	-	3262-U-1139	A3213-B-1588
4-K4	LH	3111-E-2475	3133-B-6788K	3268-W-1115	2110-A-209	3262-U-1139	A3213-B-1588
	RH	3111-F-2476	-	3262-T-358	-	3262-U-1139	A3213-B-1588
4-K5	LH	3111-E-2475	3133-A-6787K	3268-X-1116	-	3262-U-1139	A3213-B-1588
	RH	3111-F-2476	3133-T-6936K(14)	3268-W-1115	-	3262-U-1139	A3213-B-1588
4-K6	LH	3111-E-2475	3133-T-6936K(14)	3268-W-1115	2110-A-209	3262-U-1139	A3213-B-1588
	RH	3111-F-2476	-	3262-T-358	-	3262-U-1139	A3213-B-1588
4-K7	LH	3111-E-2475	3133-Q-7245	3268-W-1115	-	3262-U-1139	A3213-B-1588
	RH	3111-F-2476	-	3262-T-358	-	3262-U-1139	A3213-B-1588
4-K8	LH	3111-E-2475	3133-R-6934	3268-X-1116	-	3262-U-1139	A3213-B-1588
	RH	3111-F-2476	3133-R-6934	3268-X-1116	-	3262-U-1139	A3213-B-1588
4-K9	LH	3111-E-2475	3133-Z-4940 (16)	3268-X-1116	-	3262-U-1139	A3213-B-1588
	RH	3111-F-2476	3133-Z-4940 (16)	3268-X-1116	-	3262-U-1139	A3213-B-1588
4-K10	LH	3111-E-2475	-	3268-W-1115	-	3262-U-1139	A3213-B-1588
	RH	3111-F-2476	-	3268-X-1116	-	3262-U-1139	A3213-B-1588
4-K11	LH	3111-E-2475	3133-T-6936K	3268-W-1115	-	3262-U-1139	A3213-B-1588
	RH	3111-F-2476	-	3262-T-358	-	3262-U-1139	A3213-B-1588
4-K12	LH	3111-E-2475	3133-Y-5043 (2)	3268-X-1116	-	3262-U-1139	A3213-B-1588
	RH	3111-F-2476	3133-Y-5043 (2)	3268-X-1116	-	3262-U-1139	A3213-B-1588
4-K13	LH	3111-E-2475	3133-A-6787K	3268-W-1115	2110-A-209	3262-U-1139	A3213-B-1588
	RH	3111-F-2476	3133-T-6936K	3268-X-1116	2110-A-209	3262-U-1139	A3213-B-1588
4-K14	LH	3111-E-2475	3133-Y-7591K	3268-W-1115	-	3262-U-1139	A3213-B-1588
	RH	3111-F-2476	3133-S-6935K	3268-X-1116	-	3262-U-1139	A3213-B-1588
4-K15	LH	3111-E-2475	3133-A-6787K	3268-X-1116	-	3262-U-1139	A3213-B-1588
	RH	3111-F-2476	3133-Z-7592K	3268-W-1115	-	3262-U-1139	A3213-B-1588
4-K16	LH	3111-E-2475	3133-T-6936K	3268-W-1115	2110-A-209	3262-U-1139	A3213-B-1588
	RH	3111-F-2476	-	3262-T-358	-	3262-U-1139	A3213-B-1588
4-K17	LH	3111-E-2475	-	3268-W-1115	-	3262-U-1139	A3213-B-1588
	RH	3111-F-2476	-	3268-W-1115	-	3262-U-1139	A3213-B-1588

(2) No longer available with no replacement.

(14) Use 3133-T-6936K for all applications except front mounted RF and FDS use 3133-Z-7592K.

(16) No longer available. Contact Florence Information Services for replacement information (1-888-725-9355).

KNUCKLES AND RELATED PARTS (Continued)

MX, RF-16, RF-21, RF-22 and RF-23

Ref	LH/ RH	Knuckle (30, Fig 4)	Steering Arm (26, Fig 4)	Upper Adapter/Cap (18, 33, Fig 4)	Steering Arm Ball (28, Fig 4)	Lower Cap (42, Fig 4)	Spindle Assembly (41, Fig 4)
4-K18	LH	3111-E-2475	-	3268-W-1115	2110-A-209	3262-U-1139	A3213-B-1588
	RH	3111-F-2476	-	3262-T-358	-	3262-U-1139	A3213-B-1588
4-K19	LH	3111-E-2475	3133-A-6787K	3268-X-1116	2110-A-209	3262-R-356	A3213-B-1588
	RH	3111-F-2476	-	3262-T-358	-	3262-R-356	A3213-B-1588
4-K20	LH	3111-E-2475	3133-A-6787K	3268-X-1116	-	3262-U-1139	A3213-B-1588
	RH	3111-F-2476	-	3262-T-358	-	3262-U-1139	A3213-B-1588
4-K21	LH	3111-E-2475	3133-R-7376K	3268-X-1116	-	3262-U-1139	A3213-B-1588
	RH	3111-F-2476	3133-Q-7375K (2)	3268-W-1115	-	3262-U-1139	A3213-B-1588
4-K22	LH	3111-E-2475	3133-A-7567K	3268-X-1116	-	3262-U-1139	A3213-B-1588
	RH	3111-F-2476	3133-A-7567K	3268-X-1116	-	3262-U-1139	A3213-B-1588
4-K23	LH	3111-U-3323	3133-P-7400	-	-	3262-G-1255	A3213-U-1815
	RH	3111-V-3324	-	3266-J-1284	-	3262-G-1255	A3213-U-1815
4-K24	LH	3111-U-3323	3133-X-7642	-	-	3262-G-1255	A3213-U-1815
	RH	3111-V-3324	3133-X-7642	-	-	3262-G-1255	A3213-U-1815
4-K25	LH	3111-U-3323	3133-T-7690	-	-	3262-G-1255	A3213-U-1815
	RH	3111-V-3324	3133-T-7690	-	-	3262-G-1255	A3213-U-1815
4-K26	LH	3111-U-3323	3133-J-7680	-	-	3262-G-1255	A3213-U-1815
	RH	3111-V-3324	3133-J-7680	-	-	3262-G-1255	A3213-U-1815
4-K27	LH	3111-U-3323	3133-D-7778	-	-	3262-G-1255	A3213-U-1815
	RH	3111-V-3324	-	3266-N-1340	-	3262-G-1255	A3213-U-1815
4-K28	LH	3111-U-3323	3133-P-7400	-	-	3262-G-1255	A3213-U-1815
	RH	3111-V-3324	3133-P-7400	-	-	3262-G-1255	A3213-U-1815
4-K29	LH	3111-U-3323	3133-G-7391	-	-	3262-G-1255	A3213-U-1815
	RH	3111-V-3324	3133-G-7391	-	-	3262-G-1255	A3213-U-1815
4-K30	LH	3111-U-3323	3133-X-7642	-	-	3262-G-1255	A3213-U-1815
	RH	3111-V-3324	-	3266-J-1284	-	3262-G-1255	A3213-U-1815
4-K31	LH	3111-U-3323	3133-Q-7687	-	2110-A-209	3262-G-1255	A3213-U-1815
	RH	3111-V-3324	3133-Q-7687	-	2110-A-209	3262-G-1255	A3213-U-1815
4-K32	LH	3111-U-3323	3133-Q-7687	-	-	3262-G-1255	A3213-U-1815
	RH	3111-V-3324	3133-Q-7687	-	-	3262-G-1255	A3213-U-1815
4-K33	LH	3111-E-2475	-	3268-W-1115	-	3262-U-1139	A3213-B-1588
	RH	3111-F-2476	3133-C-5047K	3268-X-1116	-	3262-U-1139	A3213-B-1588
4-K34	LH	3111-E-2475	-	3268-W-1115	-	3262-U-1139	A3213-B-1588
	RH	3111-F-2476	3133-T-6936K	3262-T-358	2110-A-209	3262-U-1139	A3213-B-1588
4-K35	LH	3111-E-2475	3133-Q-7245	3268-W-1115	-	3262-U-1139	A3213-B-1588
	RH	3111-F-2476	3133-Q-7245	3268-X-1116	-	3262-U-1139	A3213-B-1588
4-K36	LH	3111-E-2475	3133-A-6787K	3268-W-1115	-	3262-U-1139	A3213-B-1588
	RH	3111-F-2476	3133-T-6936K	3268-X-1116	-	3262-U-1139	A3213-B-1588

KNUCKLES AND RELATED PARTS (Continued)

MX, RF-16, RF-21, RF-22 and RF-23

Ref	LH/ RH	Knuckle (30, Fig 4)	Steering Arm (26, Fig 4)	Upper Adapter/Cap (18, 33, Fig 4)	Steering Arm Ball (28, Fig 4)	Lower Cap (42, Fig 4)	Spindle Assembly (41, Fig 4)
4-K37	LH	3111-E-2475	3133-V-7354K	3268-W-1115	-	3262-U-1139	A3213-B-1588
	RH	3111-F-2476	3133-V-7354K	3268-X-1116	-	3262-U-1139	A3213-B-1588
4-K38	LH	3111-E-2475	3133-A-6787K	3268-W-1115	2110-A-209	3262-U-1139	A3213-B-1588
	RH	3111-F-2476	3133-T-6936K	3268-X-1116	2110-A-209	3262-U-1139	A3213-B-1588
4-K39	LH	3111-E-2475	3133-Q-5191 (16)	3268-W-1115	-	3262-U-1139	A3213-B-1588
	RH	3111-F-2476	3133-S-6935K	3268-X-1116	-	3262-U-1139	A3213-B-1588
4-K40	LH	3111-E-2475	3133-B-7568K	3268-W-1115	-	3262-U-1139	A3213-B-1588
	RH	3111-F-2476	3133-C-7569K	3268-X-1116	-	3262-U-1139	A3213-B-1588
4-K41	LH	3111-E-2475	3133-E-5049K (2)	3268-W-1115	-	3262-U-1139	A3213-B-1588
	RH	3111-F-2476	3133-C-5047K	3268-X-1116	-	3262-U-1139	A3213-B-1588
4-K42	LH	3111-E-2475	-	3268-W-1115	-	3262-U-1139	A3213-B-1588
	RH	3111-F-2476	3133-U-7561	3268-X-1116	-	3262-U-1139	A3213-B-1588
4-K43	LH	3111-E-2475	3133-Q-5191 (16)	3268-W-1115	-	3262-U-1139	A3213-B-1588
	RH	3111-F-2476	3133-S-6935K	3268-X-1116	-	3262-U-1139	A3213-B-1588
4-K44	LH	3111-E-2475	3133-K-7291K	3268-X-1116	-	3262-U-1139	A3213-B-1588
	RH	3111-F-2476	-	3262-T-358	-	3262-U-1139	A3213-B-1588
4-K45	LH	3111-R-3684	3133-L-8514	-	-	3262-G-1255	A3213-M-1937
	RH	3111-T-3686	-	3266-A-1457	-	3262-G-1255	A3215-M-1937
4-K46	LH	3111-V-3688	3133-L-8514	-	-	3262-G-1255	A3213-M-1937
	RH	3111-W-3689	-	3266-A-1457	-	3262-G-1255	A3215-M-1937
4-K47	LH	3111-U-3323	3133-N-7684	-	-	3262-G-1255	A3213-U-1815
	RH	3111-V-3324	3133-N-7684	-	-	3262-G-1255	A3213-U-1815
4-K48	LH	3111-U-3323	3133-K-7395	-	-	3262-G-1255	A3213-U-1815
	RH	3111-V-3324	3133-K-7395	-	-	3262-G-1255	A3213-U-1815
4-K49	LH	3111-N-3498	-	3266-J-1284	-	3262-G-1255	A3213-U-1815
	RH	3111-R-3320	-	3266-J-1284	-	3262-G-1255	A3213-U-1815
4-K50	LH	3111-U-3323	3133-N-7684	-	-	3262-G-1255	A3213-V-1816
	RH	3111-V-3324	3133-N-7684	-	-	3262-G-1255	A3213-W-1817
4-K51	LH	3111-U-3323	3133-P-7400	-	-	3262-G-1255	A3213-U-1815
	RH	3111-V-3324	3133-P-7400	-	-	3262-G-1255	A3213-U-1815
4-K52	LH	3111-U-3323	3133-G-7677	-	-	3262-G-1255	A3213-U-1815
	RH	3111-V-3324	3133-J-7680	-	-	3262-G-1255	A3213-U-1815
4-K53	LH	3111-P-3318	3133-X-7642	-	-	3262-G-1255	A3213-U-1815
	RH	3111-Q-3319	-	3266-J-1284	-	3262-G-1255	A3213-U-1815

(2) No longer available with no replacement.

(16) No longer available. Contact Florence Information Services for replacement information (1-888-725-9355).

DRUM BRAKES AND RELATED PARTS

MX, RF-16, RF-21, RF-22 and RF-23

Ref	LH/ RH	Brake Assembly (54, Fig 4)	Hub (62, Fig 4)	Brake Drum (69, Fig 4)	Wheel Spacer (70, Fig 4)	Flange (74, Fig 4)	Flange Cap (77, Fig 4)
4-B1	LH	RSA-17006-103	A333-E-2631	B3219-S-4309	-	A3270-V-1036	3262-L-1052
	RH	RSA-17006-103	A333-E-2631	B3219-S-4309	-	A3270-V-1036	3262-L-1052
4-B2	LH	RSA-17006-107	A333-E-2631	B3219-S-4309	-	A3270-V-1036	3262-L-1052
	RH	RSA-17006-107	A333-E-2631	B3219-S-4309	-	A3270-V-1036	3262-L-1052
4-B3	LH	RSA-17006-128	A333-F-2658	3219-Y-4471	3280-E-8637	A3270-V-1036	3262-L-1052
	RH	RSA-17006-128	A333-F-2658	3219-Y-4471	3280-E-8637	A3270-V-1036	3262-L-1052
4-B4	LH	RSA-17006-107	A333-F-2658	3219-Y-4471	3280-E-8637	A3270-V-1036	3262-L-1052
	RH	RSA-17006-107	A333-F-2658	3219-Y-4471	3280-E-8637	A3270-V-1036	3262-L-1052
4-B5	LH	RSA-17006-107	A333-E-2631	3219-S-4309	-	A3270-V-1036	3262-L-1052
	RH	RSA-17006-107	A333-E-2631	3219-S-4309	-	A3270-V-1036	3262-L-1052
4-B6	LH	RSA-17006-103	A333-E-2631	3219-S-4309	-	A3270-V-1036	3262-L-1052
	RH	RSA-17006-103	A333-E-2631	3219-S-4309	-	A3270-V-1036	3262-L-1052
4-B7	LH	RSA-17006-101	A333-F-2658	3219-Y-4471	-	A3270-V-1036	3262-L-1052
	RH	RSA-17006-102	A333-F-2658	3219-Y-4471	-	A3270-V-1036	3262-L-1052
4-B8	LH	RSA-17006-103	A333-F-2658	3219-Y-4471	-	A3270-V-1036	3262-L-1052
	RH	RSA-17006-103	A333-F-2658	3219-Y-4471	-	A3270-V-1036	3262-L-1052
4-B9	LH	RSA-17006-127	A333-F-2658	-	-	A3270-V-1036	3262-L-1052
	RH	RSA-17006-127	A333-F-2658	-	-	A3270-V-1036	3262-L-1052
4-B10	LH	RSA-17006-129	A333-F-2658	3219-Y-4471	-	A3270-V-1036	3262-L-1052
	RH	RSA-17006-129	A333-F-2658	3219-Y-4471	-	A3270-V-1036	3262-L-1052
4-B11	LH	RSA-17006-107	A333-E-2631	3219-S-4309	-	A3270-V-1036	3262-L-1052
	RH	RSA-17006-107	A333-E-2631	3219-S-4309	-	A3270-V-1036	3262-L-1052
4-B12	LH	QP6-1656-5	A333-F-4140	3219-P-5034	-	A3270-V-1036	3262-L-1052
	RH	QP6-1656-6	A333-F-4140	3219-P-5034	-	A3270-V-1036	3262-L-1052
4-B13	LH	QP6-1656-5	A333-G-4141	3219-R-5036	-	A3270-V-1036	3262-L-1052
	RH	QP6-1656-6	A333-G-4141	3219-R-5036	-	A3270-V-1036	3262-L-1052
4-B14	LH	QP6-1656-5	A333-P-4228	3219-N-5786	-	A3270-V-1036	3262-L-1052
	RH	QP6-1656-6	A333-P-4228	3219-N-5786	-	A3270-V-1036	3262-L-1052
4-B15	LH	RSA-17006-107	A333-E-2631	3219-S-4309	3280-U-6989	A3270-V-1036	3262-L-1052
	RH	RSA-17006-107	A333-E-2631	3219-S-4309	3280-U-6989	A3270-V-1036	3262-L-1052
4-B16	LH	RSA-17006-107	A333-F-2658	-	-	A3270-V-1036	3262-L-1052
	RH	RSA-17006-107	A333-F-2658	-	-	A3270-V-1036	3262-L-1052
4-B17	LH	RSA-17006-111	A333-F-2658	-	-	A3270-V-1036	3262-L-1052
	RH	RSA-17006-111	A333-F-2658	-	-	A3270-V-1036	3262-L-1052
4-B18	LH	QP6-1656-5	A333-R-4230	3219-A-5799	-	A3270-V-1036	3262-L-1052
	RH	QP6-1656-6	A333-R-4230	3219-A-5799	-	A3270-V-1036	3262-L-1052

DRUM BRAKES AND RELATED PARTS (Continued)

MX, RF-16, RF-21, RF-22 and RF-23

Ref	LH/ RH	Brake Assembly (54, Fig 4)	Hub (62, Fig 4)	Brake Drum (69, Fig 4)	Wheel Spacer (70, Fig 4)	Flange (74, Fig 4)	Flange Cap (77, Fig 4)
4-B19	LH	QP6-1655-451	A333-R-4230	3219-A-5799	-	3270-R-1084	3262-L-1052
	RH	QP6-1655-452	A333-R-4230	3219-A-5799	-	3270-R-1084	3262-L-1052
4-B20	LH	QP6-1655-449	A333-R-4230	3219-A-5799	-	3270-R-1084	3262-L-1052
	RH	QP6-1655-450	A333-R-4230	3219-A-5799	-	3270-R-1084	3262-L-1052
4-B21	LH	QP6-1656-781	A333-R-4230	3219-A-5799	-	3270-R-1084	3262-L-1052
	RH	QP6-1656-782	A333-R-4230	3219-A-5799	-	3270-R-1084	3262-L-1052
4-B22	LH	QP6-1656-529	A333-G-4141	3219-R-5036	-	A3270-V-1036	3262-L-1052
	RH	QP6-1656-530	A333-G-4141	3219-R-5036	-	A3270-V-1036	3262-L-1052

CARRIERS

MX, RF-16, RF-21, RF-22 and RF-23

Axle Model Number	Carrier Assembly (Less Yoke)	Axle Ratios
MX-10-120-DANL-1	A81-3200-C-1745	4.10, 4.30, 4.56, 4.88, 5.13, 5.29, 5.57, 5.86, 6.14, 7.17
MX-12-120-DANL-1	A3-3200-G-1749	5.86
	A20-3200-G-1749	4.10, 4.30, 4.56, 4.88, 5.13, 5.29, 5.57, 5.86, 6.14, 6.83, 7.17
MX-14-120-DANL-1	A20-3200-G-1749	3.91, 4.10, 4.30, 4.56, 4.88, 5.13, 5.29, 5.57, 5.86, 6.14, 6.83, 7.17
MX-16-120-DANL-1	A20-3200-G-1749	3.91, 4.10, 4.30, 4.56, 4.88, 5.13, 5.29, 5.57, 5.86, 6.14
MX-16-120-DANL-2	A20-3200-G-1749	4.10, 4.30, 4.56, 4.88, 5.13, 5.29, 5.57
MX-22-160-RANL-1	A10-3200-Y-1975	4.89
MX-23-160-DBNL-1	A17-3200-D-1928	7.17
MX-23-160-RANL-1	A5-3200-Y-1975	4.56, 4.89, 5.29, 5.29, 5.38, 5.86, 6.14
MX-23-160-RANL-4	A1-3200-Y-1975	6.14
MX-23-160-RBNL-5	A9-3200-Y-1975	5.38, 6.14
RF-16-145-NCSF-59	B1-3200-G-1879	4.88
RF-16-145-NCSF-77	B1-3200-G-1879	6.14
RF-16-145-NFLF-67	B1-3200-A-1873	4.11, 4.33, 5.57
RF-16-145-NFLF-71	B1-3200-A-1873	6.43, 7.17
RF-16-145-NFLF-85	B3-3200-A-1873	7.17
RF-16-145-NFQF-44	B1-3200-A-1873	7.17
RF-16-145-NFQF-53	B1-3200-A-1873	7.17
RF-16-145-NFQF-62	B1-3200-A-1873	4.10, 4.11, 4.33
RF-16-145-NFSF-6	B4-3200-L-1676	7.17
RF-16-145-NFSF-10	B4-3200-L-1676	6.14, 6.83
RF-16-145-NFSF-13	B4-3200-L-1676	4.10, 4.56
RF-16-145-NFSF-30	B4-3200-S-1865	5.29
RF-16-145-NFSF-33	B4-3200-S-1865	7.17
RF-16-145-NFSF-34	B4-3200-S-1865	6.14, 6.83
RF-21-155-NFSF-1	A45-3200-C-1433	4.56, 4.63, 4.89, 5.29, 5.57, 6.17, 6.83, 7.40
RF-21-155-NFSF-3	A45-3200-C-1433	6.17, 6.83
RF-21-155-NFSF-4	A45-3200-C-1433	4.89, 6.17, 6.83, 7.40
RF-21-155-NFSF-8	A45-3200-C-1433	4.11, 4.33, 4.56, 4.63, 4.89, 5.29, 5.38, 5.57, 6.17, 6.83
RF-21-155-NFSF-15	A45-3200-C-1433	4.89, 6.17

CARRIERS

MX, RF-16, RF-21, RF-22 and RF-23 (Continued)

Axle Model Number	Carrier Assembly (Less Yoke)	Axle Ratios
RF-21-155-NFSF-20	A45-3200-C-1433	6.17
RF-21-155-NFSF-23	A45-3200-C-1433	6.17
RF-21-155-NFSF-27	A45-3200-C-1433	6.17
RF-21-155-NHSF-6	B93-3200-C-1433	5.29, 5.38
RF-21-156-NFLF-50	A32-3200-F-1436	4.56, 4.63, 4.89, 5.29, 5.38, 6.17
RF-21-156-NFLF-55	A32-3200-F-1436	5.38
RF-21-156-NFLF-57	A32-3200-F-1436	4.56, 6.17
RF-21-156-NFLF-72	A32-3200-F-1436	4.89, 5.29, 5.38
RF-21-156-NFLF-73	A32-3200-F-1436	4.56
RF-21-156-NFQF-23	A32-3200-F-1436	4.56, 4.89, 5.29, 5.38, 6.17
RF-21-156-NFQF-32	A32-3200-F-1436	4.56, 4.63, 4.89, 5.29, 5.38, 6.17
RF-21-156-NFQF-33	A32-3200-F-1436	4.56, 4.89, 5.29, 5.38, 6.17
RF-21-156-NFQF-48	A32-3200-F-1436	5.38
RF-21-156-NFSF-1	A32-3200-F-1436	5.29
RF-21-156-NFSF-3	A32-3200-F-1436	6.17, 6.83
RF-21-156-NFSF-7	A32-3200-F-1436	4.11, 5.29, 5.38
RF-21-156-NFSF-8	A32-3200-F-1436	5.38, 6.17
RF-21-156-NFSF-10	A32-3200-F-1436	4.56, 5.29, 5.38
RF-21-156-NFSF-14	A32-3200-F-1436	4.56, 4.63, 4.89, 5.29, 5.38, 6.17
RF-21-156-NFSF-28	A32-3200-F-1436	6.17
RF-21-156-NHLF-62	A35-3200-F-1436 (1)	5.38
RF-21-156-NHSF-5	A14-3200-F-1436	5.29, 5.38
RF-21-160-NCLF-71	A1-3200-D-1928	6.14
RF-21-160-NCLF-91	A1-3200-D-1928	4.56, 4.89, 5.38
RF-21-160-NCLF-92	A1-3200-D-1928	5.38
RF-21-160-NCLF-93	A1-3200-D-1928	5.86
RF-21-160-NCLF-96	A1-3200-D-1928	5.38
RF-21-160-NCQF-16	A1-3200-D-1928	5.38
RF-21-160-NCQF-22	A1-3200-D-1928	5.63
RF-21-160-NCQF-26	A1-3200-D-1928	5.38
RF-21-160-NCQF-27	A1-3200-D-1928	5.38
RF-21-160-NCQF-42	A1-3200-D-1928	4.56, 6.14
RF-21-160-NCSF-2	A1-3200-T-1892	4.56
RF-21-160-NCSF-5	A1-3200-T-1892	5.38
RF-21-160-NCSF-6	A1-3200-T-1892	4.56
RF-21-160-NCSF-12	A1-3200-T-1892	5.38
RF-21-160-NFLF-58	A1-3200-A-1821	4.89, 6.43
RF-21-160-NFLF-84	A1-3200-A-1821	4.89, 5.38, 5.86, 6.14, 6.43
RF-21-160-NFLF-94	A1-3200-A-1821	6.43
RF-21-160-NFLF-100	A1-3200-A-1821	4.30, 4.56, 4.89, 5.13, 6.14, 6.43
RF-21-160-NFQF-24	A1-3200-A-1821	4.30, 4.56, 4.89, 5.13, 5.63, 6.43
RF-21-160-NFQF-34	A1-3200-A-1821	5.38, 5.86
RF-21-160-NFQF-37	A1-3200-A-1821	6.14
RF-21-160-NFQF-41	A1-3200-A-1821	4.89, 5.13, 6.14, 6.83, 7.17
RF-21-160-NFQF-44	A1-3200-A-1821	6.14
RF-21-160-NFQF-46	A1-3200-A-1821	5.86
RF-21-355-NFLF-49	L62-3800-N-456	7.21
RF-21-355-NFSF-1	L62-3800-N-456	5.54, 5.83, 6.19, 6.58, 6.77, 7.21
RF-21-355-NFSF-5	L62-3800-N-456	4.38, 5.38, 5.54, 5.82, 6.19, 6.38, 6.77, 7.21, 7.79, 7.92, 9.06

(1) No less yoke version currently available.

CARRIERS

MX, RF-16, RF-21, RF-22 and RF-23 (Continued)

Axle Model Number	Carrier Assembly (Less Yoke)	Axle Ratios
RF-21-355-NFSF-9	L62-3800-N-456	6.77, 7.21, 7.79
RF-21-355-NFSF-12	L62-3800-N-456	9.76, 14.53
RF-21-355-NFSF-16	L62-3800-N-456	6.77
RF-21-355-NFSF-18	L62-3800-N-456	6.77, 7.21, 7.79
RF-21-355-NFSF-25	L62-3800-N-456	9.76
RF-22-166-NCLF-2	A6-3200-Y-1975	4.56, 4.89, 5.29, 6.14
RF-22-166-NCLF-8	A9-3200-Y-1975	6.14
RF-22-166-NFLF-1	A5-3200-Y-1975	4.56, 5.29, 5.63, 6.14
RF-22-166-NFLF-3	A5-3200-Y-1975	4.89, 5.29
RF-22-166-NFLF-4	A5-3200-Y-1975	4.89
RF-22-166-NFLF-5	A7-3200-Y-1975	6.83
RF-22-166-NFLF-7	A8-3200-Y-1975	5.38
RF-22-166-NFLF-9	A10-3200-Y-1975	6.14
RF-22-166-NFLF-10	A5-3200-Y-1975	6.14
RF-22-166-NFLF-11	A5-3200-Y-1975	6.14
RF-22-166-NFLF-12	A5-3200-Y-1975	4.89, 5.29, 5.38
RF-22-166-NFLF-13	A8-3200-Y-1975	5.38
RF-22-166-NFLF-14	A8-3200-Y-1975	6.14
RF-23-180-NCLF-50	A13-3200-L-1910	6.14, 6.83
RF-23-180-NCLF-52	A13-3200-L-1910	7.17
RF-23-180-NCSF-2	A1-3200-A-1899	3.91
RF-23-180-NCSF-8	A1-3200-A-1899	3.91
RF-23-180-NFLF-63	A17-3200-S-1839	7.83
RF-23-180-NFQF-31	A6-3200-S-1839	5.63
RF-23-180-NFQF-34	A6-3200-S-1839	6.83, 7.17
RF-23-180-NFQF-38	A6-3200-S-1839	4.56, 5.38, 7.17
RF-23-180-NFSF-10	A1-3200-J-1804	5.38, 7.17
RF-23-180-NFSF-13	A1-3200-J-1804	5.63
RF-23-180-NFSF-16	A1-3200-J-1804	7.17
RF-23-180-NFSF-22	A1-3200-J-1804	5.38, 5.63
RF-23-180-NFSF-27	A1-3200-J-1804	7.17
RF-23-180-NFSF-28	A1-3200-J-1804	5.63

SUPERCESSION LIST

OLD NUMBER	NEW NUMBER	OLD NUMBER	NEW NUMBER	OLD NUMBER	NEW NUMBER
10-X-216	10-X-1682	A-3102-G-4375	A1-3102-D-4424	3133-L-6876K	No longer available
10-X-694	S-2712-2	A1-3102-G-4375	A1-3102-D-4424	3133-M-6903	3133-M-6903K
10-X-951	No longer available	A-3102-D-4424	A1-3102-D-4424	3133-C-6919	3133-C-6919K
10-X-1340	No longer available	3105-N-222	69160478	3133-S-6935	3133-S-6935K
13-X-159	1227-W-1609	3105-S-1085	69160478	3133-T-6936	3133-T-6936K
14-X-27	1227-X-1610	3105-M-1183	69160478	3133-R-7324	3133-R-7324K
15-X-523	15-X-523C	3111-S-2333	No longer available	3133-Q-7375	No longer available
15-X-1234	No longer available	3111-T-2334	No longer available	3133-Q-7375K	No longer available
15-X-1237	No longer available	3111-X-2338	No longer available	3133-R-7376	3133-R-7376K
15-X-1594	No longer available	3111-Y-2339	No longer available	3133-U-7405	No longer available
15-X-1715	69310775	3111-G-2477	3111-A-2471	3133-U-7405K	No longer available
20-X-377	20-X-1563	3111-H-2478	3111-B-2472	3133-A-7567	3133-A-7567K
20-X-378	20-X-1564	3111-K-2481	3111-E-2475	3133-Y-7591	3133-Y-7591K
20-X-406C	20-X-406Z	3111-L-2482	3111-F-2476	3133-Z-7592	3133-Z-7592K
20-X-407C	20-X-407Z	3111-X-2546	No longer available	3133-U-7639	3133-K-7291K
20-X-408C	20-X-408Z	3111-D-2552	No longer available	3133-U-7639K	3133-K-7291K
20-X-1094	20-X-2006	3133-D-4008	No longer available	A-3144-E-551	R230095
20-X-1095	20-X-2005	A-3133-P-4046	No longer available	A1-3144-J-296	R230076
20-X-1565	20-X-1839	3133-R-4256	No longer available	A1-3144-F-370	R230077
20-X-1566	20-X-1840	A2-3133-K-4821	No longer available	A1-3144-F-1020	A-3144-Y-1091
20-X-2035	No longer available	3133-V-4364	No longer available	A-3144-B-1068	A-3144-Y-1091
20-X-2036	No longer available	3133-R-4646	No longer available	A-3144-C-1069	A-3144-X-1090
311-U-489	No longer available	3133-W-4885	3133-N-6488K	C21-3200-H-606	A45-3200-C-1453
A1-311-H-398	No longer available	3133-U-4909	3133-R-7324K	D68-3200-H-606	A41-3200-C-1453
A-333-D-2604	A-333-E-2631	3133-J-4924	3133-J-4924K	D72-3200-H-606	A45-3200-C-1453
A-333-C-2707	See Footnotes 6 & 7	3133Z-4940	See Footnote 16	D80-3200-H-606	A43-3200-C-1433
A-333-F-2892	A-333-F-4114	3133-V-4962	3133-C-6919K	F-3200-H-606	B11-3200-C-1433
A-333-G-2893	A-333-C-4111	3133-Y-4965	3133-M-6903K	A11-3200-X-830	A72-3200-X-830
A-333-W-2961	A-333-S-4127	3133-U-5013	3133-A-6787K	A37-3200-X-830	A83-3200-X-830
A-333-M-3445	A-333-E-2631	3133-W-5015	See Footnote 14	A81-3200-G-969	A1-3200-F-1436
A-333-Z-3692	A-333-B-4110	3133-Y-5043	No longer available	B9-3200-G-969	A1-3200-F-1436
1227-T-410	1227-F-240	3133-C-5047	3133-C-5047K	B11-3200-G-969	A6-3200-F-1436
1227-J-1544	1227-W-1609	3133-E-5049	No longer available	B12-3200-G-969	A1-3200-F-1436
1229-X-1012	1229-U-1503	3133-E-5049K	No longer available	B14-3200-G-969	A3-3200-F-1436
1259-S-305	69420736 (RH)	3133-B-5072	3133-B-6788K	B18-3200-G-969	A4-3200-F-1436
1259-S-305	69420737 (LH)	3133-D-5074	3133-D-5074K	B36-3200-G-969	A1-3200-F-1436
1259-R-1136	69420736	A-3133-P5086	No longer available	B44-3200-G-969	A3-3200-F-1436
1259-S-1137	69420737	A-3133-Q-5087	No longer available	B45-3200-G-969	A5-3200-F-1436
1825-C-211	1225-K-1051	3133-E-5153	No longer available	B53-3200-G-969	A8-3200-F-1436
2110-H-216	No longer available	3133-N-5188	3133-S-6935K	F56-3200-R-1110	H12-3200-R-1110
2110-N-222	2110-V-100	3133-D-5282	See Footnote 15	F80-3200-R-1110	H10-3200-R-1110
2208-W-413	2208-X-440	3133-K-5341	No longer available	F82-3200-R-1110	H13-3200-R-1110
2297-M-2041	No longer available	3133-D-5360	No longer available	G14-3200-R-1110	H14-3200-R-1110
2297-G-2477	No longer available	3133-R-5608	3133-G-7625	G75-3200-R-1110	G89-3200-R-1110
2910-R-18	No longer available	3133-Y-5875	No longer available	A9-3200-C-1433	A45-3200-C-1433
2910-G-33	No longer available	3133-Y-5875K	No longer available	A11-3200-C-1433	A41-3200-C-1433
A-3102-S-3711	A1-3102-D-4424	3133-J-5886	No longer available	A30-3200-C-1433	B67-3200-C-1433
A1-3102-S-3711	A1-3102-D-4424	3133-T-6078	3133-N-6488K	A1-3200-F-1436	A24-3200-F-1436
A-3102-U-4259	A1-3102-D-4424	3133-N-6488	3133-N-6488K	A4-3200-F-1436	A32-3200-F-1436
A1-3102-U-4259	A1-3102-D-4424	3133-A-6787	3133-A-6787K	A8-3200-F-1436	A35-3200-F-1436
A-3102-W-4339	A1-3102-D-4424	3133-B-6788	3133-B-6788K	A39-3200-P-1498	A53-3200-P-1498
A2-3102-W-4339	A1-3102-D-4424	3133-L-6876	No longer available	A19-3200-L-1676	B12-3200-L-1676
A3-3102-W-4339	A1-3102-D-4424	3133-L-6876F	No longer available	A24-3200-L-1676	B16-3200-L-1676

- (6) Replaced by KIT 9307 which includes L.H. hub and drum assembly, flange and seal.
- (7) Replaced by KIT 9308 which includes R.H. hub and drum assembly, flange and seal.
- (14) Replaced by 3133-T-6936K for all applications except front mounted RF and FDS use 3133-Z-7592K.
- (15) For front mount replaced by 3133-U-7639K. For rear mount replaced by 3133-D-7102.
- (16) No longer available. Contact Florence Information Services for replacement information (1-888-725-9355).

SUPERCESSION LIST

OLD NUMBER	NEW NUMBER	OLD NUMBER	NEW NUMBER	OLD NUMBER	NEW NUMBER
A12-3200-R-1708	A8-3200-T-1892	3262-P-354	No longer available	S-265-1	S-265-2
A9-3200-W-1791	A10-3200-A-1899	A-3263-L-220	60450450	S-1818-1	S-1818-2
A-3200-C-1823	A-3200-T-1892	A-3263-M-1053	60450450	S-1822-1	S-1822-2
A8-3200-C-1823	A5-3200-T-1892	3266-M-351	3262-K-349	S-2718-1	S-2718-2
A1-3202-M-4485	No longer available	3268-G-865	No longer available	S-2826-1	S-2826-2
A1-3202-N-4486	No longer available	3270-C-133	No longer available	S-11416-1	S-11416-2
A-3202-M-6669	A2-3205-B-1120	3270-V-178	3270-C-1043	S-11422-1	S-11422-2
A-3202-A-7203	No longer available	A-3270-G-163	KIT 2434	S-21014-1	10-X-1594
A-3202-G-7755	A2-3205-B-1120	3280-P-4800	No longer available	S-21016-1	S-21016-2
A-3202-L-7916	A3-3205-B-1120	3280-T-5350	No longer available	S-21018-1	S-21018-2
A-3202-M-7917	A4-3205-B-1120	3280-U-5351	No longer available	S-21026-1	S-21026-2
A-3202-G-7963	No longer available	3286-L-272	No longer available	S-21217-1	S-21217-2
A-3202-H-7964	No longer available	3286-V-490	No longer available	S-21218-1	S-21218-2
A-3202-X-8006	No longer available	3286-A-547	No longer available	58WBYSM25-2	No longer available
A-3202-Z-8008	No longer available	J14-3800-N-456	L55-3800-N-456	58WBYSM28-121	No longer available
A-3202-A-8009	No longer available	K66-3800-N-456	L62-3800-N-456	58WBYSM28-122	No longer available
A-3202-B-8010	No longer available	K81-3800-N-456	L55-3800-N-456	58WBYSM28-191	No longer available
A-3202-C-8011	No longer available	K82-3800-N-456	L55-3800-N-456	58WBYSM28-192	No longer available
A-3202-D-8012	No longer available	K83-3800-N-456	L55-3800-N-456	58WBYSM28-195	No longer available
A-3202-X-8994	No longer available	K84-3800-N-456	L55-3800-N-456	58WBYSM28-196	No longer available
A-3202-Z-9438	No longer available	K85-3800-N-456	L55-3800-N-456	58WBYSM28-200	No longer available
A-3202-F-9834	A-3205-B-1120	K88-3800-N-456	L45-3800-N-456	58WBYSM28-201	No longer available
A-3202-F-9834S	A-3205-B-1120	K90-3800-N-456	L55-3800-N-456	58WBYSM28-202	No longer available
A1-3202-F-9834	A5-3205-B-1120	K92-3800-N-456	L55-3800-N-456	58WBYSM28-203	No longer available
A1-3202-F-9834S	A5-3205-B-1120	K94-3800-N-456	L55-3800-N-456	58WBYSM28-204	No longer available
A2-3202-F-9834	A2-3205-B-1120	K98-3800-N-456	L55-3800-N-456	58WBYSM28-205	No longer available
A3-3202-F-9834	A3-3205-B-1120	L1-3800-N-456	L45-3800-N-456	58WBYSM28-206	No longer available
A3-3202-F-9834S	A3-3205-B-1120	L2-3800-N-456	L55-3800-N-456	750NYSM28-110	No longer available
A4-3202-F-9834	A4-3205-B-1120	L3-3800-N-456	L55-3800-N-456	750NYSM28-111	No longer available
A5-3202-F-9834	A5-3205-B-1120	L8-3800-N-456	L62-3800-N-456	750NYSM28-197	No longer available
A6-3202-F-9834	A1-3205-B-1120	L9-3800-N-456	L62-3800-N-456	92NYSM34-20	No longer available
A7-3202-F-9834	A6-3205-B-1120	L33-3800-N-456	L45-3800-N-456	92NYSM34-22	No longer available
A-3202-Z-9984	A-3202-Z-9984S	L43-3800-N-456	L72-3800-N-456	92NYSM38-37	No longer available
A-3202-R-9950	A2-3205-B-1120	3902-B-210	No longer available	92NYSM38-38	No longer available
A7-3205-P-1004	A1-3205-A-1119	A-3902-B-210	No longer available	92NYSM38-63	92NYSM38-80
A8-3205-P-1004	A2-3205-A-1119	3902-D-212	No longer available	92NYSM38-64	No longer available
A9-3205-P-1004	A1-3205-A-1119	A-3933-J-322	No longer available	92NYSM38-78	No longer available
A10-3205-P-1004	A5-3205-A-1119	A-3933-A-417	No longer available	92NYSM38-79	No longer available
A11-3205-P-1004	A6-3205-A-1119	CP92N71	CP92N-DWT	92NYSM38-81	No longer available
A12-3205-P-1004	A7-3205-A-1119	JLM-710949	JLM-710949C	92NYSM38-85	No longer available
A14-3205-P-1004	A3-3205-A-1119	K-2412C	No longer available	92NYSM38-86	No longer available
A15-3205-P-1004	A4-3205-A-1119	K-2412Z	No longer available	92NYSM38-87	No longer available
A-3213-L-1780	A1-3213-U-1815	RSA-1540-229	RSA-1540-397	92NYSM38-88	No longer available
3215-A-209	3215-B-1068	RSA-1540-230	RSA-1540-398	92NYSM38-95	No longer available
3215-B-210	3215-C-1069	RSA-17006-43	RSA-17006-125	92NYSM38-96	No longer available
3219-X-4210	3219-S-4309	RSA-17006-47	RSA-17006-107		
3219-K-4691	No longer available	RSA-17006-56	RSA-17006-95		
B-3219-K-4691	No longer available	RSA-17006-59	RSA-17006-97		
A1-3202-N-4486	No longer available	RSA-17006-60	RSA-17006-97		
A-3202-H-7964	No longer available	RSA-17006-67	RSA-17006-101		
A-3202-X-8006	No longer available	RSA-17006-68	RSA-17006-102		
A-3202-A-8009	No longer available	RSA-17006-73	RSA-17006-103		
A1-3202-F-9834S	No longer available	RSA-17006-77	RSA-17006-107		
A11-3205-P-1004	No longer available	RSA-17006-79	RSA-17006-107		
A-3236-Y-1715	No longer available	RSA-17205-1	RSA-17205-9		
A-3236-Z-1716	No longer available	RSA-17205-6	RSA-17205-8		
A-3236-A-1717	No longer available	RSA-17205-7	RSA-17205-9		
A-3236-U-2257	No longer available	RSH-1540-307	RSH-1540-393		
A-3236-V-2258	No longer available	S-166-1	S-166-2		

NUMERICAL PARTS LIST

PART NUMBER	PAGE	PART NUMBER	PAGE	PART NUMBER	PAGE
4-X-1617	3	26-X-163	16	1227-F-240	3
4-X-1680	3	26-X-227	3	1227-D-446	5
4-X-1770	5	26-X-236	16	1227-U-515	5
5-X-702	15	26-X-243	23, 45	1227-W-699	15
5-X-712	4	A1-311-H-398	20	A-1227-X-752	15
5-X-797	4	A-311-Z-416	37	1227-D-1018	25, 46
5-X-841	24	311-U-489	12, 13	1227-K-1025	25, 46
5-X-1050	47	A-333-N-1756	12	1227-W-1609	23
10-X-951	15	A-333-P-2226	20	1227-X-1610	3
10-X-1112	23, 45	A-333-E-2631	35, 36, 37, 55	A-1228-X-1220	45
10-X-1113	23, 45	A-333-P-2642	36	1229-S-721	5
10-X-1340	4, 5	A-333-F-2658	36, 37, 38, 55	1229-Z-1118	5
10-X-1345	4	A-333-C-2707	12	1229-C-1459	5
10-X-1594	24, 47	333-T-3114	13	1229-U-1503	3, 4, 25, 47
10-X-1682	16	333-A-3121	13	1229-V-1504	3, 16, 24, 46
13-X-184	45, 46	A-333-B-4110	12, 13	1229-Y-1507	15
14-X-3	3	A-333-F-4114	12	1229-C-1511	5
14-X-22	16	A-333-S-4127	13	1229-E-1513	5
15-X-523C	5	A-333-F-4140	55	1229-W-1557	24, 46
15-X-1237	3	A-333-G-4141	55, 56	1229-X-1558	15
15-X-1594	3, 25	A-333-P-4228	55	1229-Y-1559	23, 45
15-X-1595	3	A-333-R-4230	55, 56	1229-K-1597	4, 5, 15
16-X-202	3, 23, 45	A-333-G-4245	13	1229-M-1625	16, 45
20-X-208	5	1199-G-111	5	1229-B-1666	24, 45
20-X-209	5	1199-H-112	5	1229-C-1667	47
20-X-404Z	5	1199-M-117	15, 24, 47	1229-V-1998	5
20-X-405Z	5	1199-N-118	15, 24, 47	1229-C-2057	15
20-X-406Z	5	1199-X-1350	24, 47	1229-Z-2106	15
20-X-407Z	5	1199-Y-1351	24, 47	1229-B-2108	15, 16
20-X-746	15	1199-N-1860	47	1229-M-2223	3
20-X-747	15	1199-T-2854	4, 24	1229-K-2481	3, 4
20-X-1280	15	1199-E-2917	4	1229-L-2560	25, 46
20-X-1281	15	1199-T-3166	24, 46	1229-M-2561	24
20-X-1325	15	1199-B-3226	3, 4, 16, 23, 45, 46	1229-H-2920	24, 46
20-X-1326	15	A-1205-G-995	20	1229-Z-2938	3
20-X-1422	24, 46	A-1205-B-1042	3	1229-B-2940	3
20-X-1423	24, 46	A-1205-D-1044	3	1229-E-2995	23
20-X-1563	24	A-1205-V-1062	4	1229-B-3148	4, 5
20-X-1564	24	A-1205-Y-1091	8	1229-A-4551	23, 45
20-X-1589	46	A-1205-X-1116	23	1229-U-4623	45, 46
20-X-1590	46	1205-N-1184	4	1246-E-31	16
20-X-1839	24, 46	A-1205-T-1424	4	1246-L-272	16
20-X-1840	24, 46	1205-E-1435	4	1246-F-500	15
20-X-2005	24, 46	A-1205-Y-1533	38, 51	1246-D-654	23
20-X-2006	24, 46	A-1205-Z-1534	24, 45	1246-E-655	3
20-X-2033	5	A-1205-A-1535	23, 45	1250-F-318	3
20-X-2034	5	1205-C-1537	24	1250-U-333	23
20-X-2035	5	1205-A-1743	23, 24, 45	1250-B-470	23, 45
20-X-2036	5	1205-G-1801	3, 4	1250-R-486	3
20-X-2166	46	1205-N-2146	47	A-1805-S-539	15, 16
20-X-2167	5, 46	A-1205-J-2220	8	A-1805-A-573	15, 16
20-X-2168	5	A-1205-P-2434	51	A-1805-R-694	3
20-X-2174	46	1225-N-690	3	1825-C-159	16
20-X-2270	46	1225-K-817	3	1825-D-212	15
20-X-2271	46	A-1225-F-968	23	1825-Y-259	16
20-X-2353	46	1225-L-974	23, 45	1825-X-310	23, 45
20-X-2354	46	1225-Q-979	3	1827-J-88	16
20-X-2390	46	1225-K-1051	16	A-1829-J-790	16
20-X-2392	46	1225-U-1191	45	1850-G-137	16
26-X-146	16	1227-F-162	5	1859-T-98	16

NUMERICAL PARTS LIST

PART NUMBER	PAGE	PART NUMBER	PAGE	PART NUMBER	PAGE
1898-X-518	16	A1-3102-M-4433	10	3133-D-5282	32, 34
2110-A-1	11	A-3102-N-4434	10	3133-K-5341	32
2110-V-100	31, 52	A1-3102-N-4434	10	3133-D-5360	10
2110-A-209	31, 32, 33, 34, 52, 53, 54	3111-X-2624	10, 11	A-3133-G-5623	18, 19
2110-H-216	18, 19	A-3111-R-1526	18, 19	3133-Y-5875K	10
2203-A-4967	15	A1-3111-U-1529	18, 19	3133-J-5886	10
2203-U-5559	3	A1-3111-V-1530	18, 19	3133-N-6488K	31
2203-V-5560	3	A2-3111-W-1687	19	3133-A-6787K	31, 32, 33, 34, 52, 53, 54
2203-W-5561	3	A3-3111-W-1687	19	3133-B-6788K	32, 34, 35, 52
2203-R-6076	3	A2-3111-X-1688	19	3133-L-6876K	11
2203-S-6077	3	A3-3111-X-1688	19	3133-M-6903K	31
2203-T-6078	3	A-3111-X-1922	10	3133-C-6919K	31
2203-E-7025	23	3111-Q-2331	32	3133-R-6934	32, 34, 35, 52
2203-F-7026	23	3111-K-2325	31, 32	3133-S-6935K	32, 33, 34, 35, 52, 54
2203-G-7027	23	3111-L-2326	31, 32	3133-T-6936K	31, 32, 33, 34, 52, 53, 54
2203-K-8019	23, 45	3111-R-2332	32	3133-J-7212	11
2203-L-8020	23, 45	3111-S-2333	11	3133-Q-7245	52, 53
2203-M-8021	23, 45	3111-T-2334	11	3133-K-7291K	54
2203-E-8195	4	3111-X-2338	10	3133-R-7324K	31, 53
2203-F-8196	4	3111-Y-2339	10	3133-V-7354K	54
2203-G-8197	4	A1-3111-B-2394	19	3133-Q-7375K	53
2208-X-440	15	A1-3111-C-2395	19	3133-G-7391	53
2245-Q-43	23	3111-A-2471	33, 35, 52	3133-K-7395	54
A-2249-D-4	10	3111-B-2472	33, 35, 52	3133-P-7400	53, 54
2297-M-2041	10	3111-E-2475	33, 34, 35, 52, 53, 54	3133-U-7405K	10, 11
2297-G-2477	11	3111-F-2476	33, 34, 35, 52, 53, 54	3133-U-7561	54
2803-V-1894	15	3111-X-2546	10	3133-A-7567K	53
2803-W-1895	15	3111-C-2551	11	3133-B-7568K	54
2803-X-1896	15	3111-D-2552	10, 11	3133-C-7569K	54
2803-G-2789	45	3111-W-2623	10, 11	3133-Y-7591K	52
2803-H-2790	45	3111-V-3090	11	3133-Z-7592K	52
2803-J-2792	45	3111-W-3091	11	3133-G-7625	11
2910-R-18	19	3111-P-3318	54	3133-X-7642	53, 54
2910-G-33	18, 19	3111-Q-3319	54	3133-G-7677	54
3102-R-3268	18	3111-R-3320	54	3133-J-7680	53, 54
A-3102-R-3268	18	3111-U-3323	53, 54	3133-N-7684	54
A-3102-T-3400	10	3111-V-3324	53, 54	3133-Q-7687	53
A1-3102-T-3400	10	3111-H-3466	11	3133-T-7690	53
A-3102-E-3437	10	3111-J-3468	11	3133-D-7778	53
A1-3102-E-3437	10	3111-N-3498	54	3133-L-8514	54
3102-Z-3458	51	3111-R-3684	54	A1-3144-F-370	31
A-3102-Z-3458	51	3111-T-3686	54	A-3144-U-385	10
A2-3102-Z-3458	51	3111-V-3688	54	A-3144-D-524	51
3102-A-4213	31	3111-W-3689	54	A-3144-E-525	51
A-3102-A-4213	31	A-3133-P-4046	18	3144-H-528	18
A1-3102-A-4213	31	A-3133-X-4054	18, 19	3144-J-530	18
A-3102-C-4215	10	3133-R-4256	11	A-3144-V-1036	51
A1-3102-C-4215	10	3133-V-4364	10, 11	A-3144-D-1070	10
A-3102-J-4222	10	3133-R-4646	10	A-3144-E-1071	10
A1-3102-J-4222	10	A-3133-M-4667	18, 19	A-3144-X-1090	31, 51
A-3102-G-4297	10	A2-3133-K-4821	18	A-3144-Y-1091	31, 51
A1-3102-G-4297	10	3133-J-4924K	10, 11	B26-3200-Z-780	21
3102-S-4413	51	3133-Z-4940	33, 35, 52	C17-3200-Z-780	21
A-3102-S-4413	51	3133-C-5047K	32, 33, 34, 35, 53, 54	A23-3200-X-830	21
A1-3102-S-4413	51	3133-Y-5043	33, 52	A43-3200-X-830	21
3102-D-4424	31, 51	3133-E-5049K	32, 34, 35, 54	A81-3200-X-830	21
A-3102-D-4424	31, 51	A-3133-P-5086	19	A85-3200-X-830	21
A1-3102-D-4424	31, 51	A-3133-Q-5087	19	A96-3200-G-969	41
A-3102-M-4433	10	3133-E-5153	34		
		3133-Q-5191	54		

NUMERICAL PARTS LIST

PART NUMBER	PAGE	PART NUMBER	PAGE	PART NUMBER	PAGE
B13-3200-G-969	41	A-3202-J-8122	9	A-3236-K-1935	12
H-3200-R-1110	7, 8	A-3202-K-8123	9	A-3236-C-2031	24
H55-3200-R-1110	7, 8	A-3202-X-8994	9	A1-3236-C-2031	24
H57-3200-R-1110	7	A-3202-Y-8995	9	A2-3236-C-2031	45
H84-3200-R-1110	7	A-3202-S-9431	9	A3-3236-C-2031	45
A33-3200-C-1433	42	A-3202-T-9432	9	A-3236-D-2032	24
A43-3200-C-1433	40	A-3202-W-9435	9	A1-3236-D-2032	24
A45-3200-C-1433	40, 42, 56, 57	A-3202-X-9436	9	A-3236-U-2257	12
B93-3200-C-1433	57	A-3202-Z-9438	9	A-3236-V-2258	12
A5-3200-F-1436	41	A-3202-E-9443	9	3262-V-100	12
A14-3200-F-1436	57	A-3202-Z-9984S	50	3262-F-162	20
A32-3200-F-1436	41, 42, 57	A-3202-A-9985S	50	3262-K-349	31, 32
A35-3200-F-1436	42, 57	A-3205-W-1115	50	3262-P-354	32
A39-3200-F-1436	41	A-3205-X-1116	50	3262-R-356	33, 34, 35, 53
A34-3200-F-1488	8	A1-3205-A-1119	50	3262-T-358	33, 34, 35, 52, 53, 54
A53-3200-P-1498	8	A2-3205-A-1119	50	3262-F-370	10, 11
B4-3200-L-1676	56	A3-3205-A-1119	50	3262-L-1052	12, 13, 55, 56
A81-3200-C-1745	56	A4-3205-A-1119	50	3262-U-1139	52, 53, 54
A20-3200-G-1749	56	A5-3205-A-1119	50	3262-G-1255	53, 54
A3-3200-G-1749	56	A6-3205-A-1119	50	A-3264-Q-1291	45
A1-3200-J-1804	58	A7-3205-A-1119	50	3266-Q-589	18
A1-3200-A-1821	57	A-3205-B-1120	50	3266-J-1284	53, 54
A17-3200-S-1839	58	A1-3205-B-1120	50	3266-N-1340	53
A6-3200-S-1839	58	A2-3205-B-1120	31, 50	3266-A-1457	54
B4-3200-S-1865	56	A3-3205-B-1120	31	3268-G-865	12
B1-3200-A-1873	56	A4-3205-B-1120	31	3268-W-1115	33, 34, 35, 52, 53, 54
B3-3200-A-1873	56	A5-3205-B-1120	50	3268-X-1116	33, 34, 35, 52, 53, 54
A1-3200-T-1892	57	A6-3205-B-1120	50	3268-F-1124	23, 45
A1-3200-A-1899	58	A-3213-W-621	11	3268-H-1126	3
A13-3200-L-1910	58	A-3213-Q-693	31, 32, 34	3268-L-1130	10, 11
A1-3200-D-1928	57	A1-3213-Q-693	33, 34	3268-K-1129	10, 11
A17-3200-D-1928	56	A-3213-E-993	10, 11	3268-U-1243	10, 11
A10-3200-Y-1975	56, 58	A-3213-J-1258	10, 11	3268-E-1409	11
A1-3200-Y-1975	56	A-3213-K-1467	11	3270-E-83	20
A5-3200-Y-1975	56, 58	A-3213-B-1588	34, 35, 52, 53, 54	3270-R-96	12
A6-3200-Y-1975	58	A-3213-S-1605	11	3270-C-133	12
A7-3200-Y-1975	58	A-3213-T-1606	11	A-3270-M-195	12
A8-3200-Y-1975	58	A-3213-U-1815	53, 54	3270-M-1027	13
A9-3200-Y-1975	56, 58	A-3213-V-1816	54	A-3270-V-1036	35, 36, 37, 38, 55, 56
A1-3202-M-4485	9	A-3213-W-1817	54	3270-C-1043	12, 13
A1-3202-N-4486	9	A-3213-M-1937	54	3270-R-1084	56
A-3202-N-5916	18	3215-B-1068	13	3280-P-4800	10
A-3202-Z-7202	9	3215-C-1069	13	3280-Q-4801	10
A-3202-A-7203	9	3218-C-237	13	3280-D-4840	31, 32
A-3202-X-7928	9	3218-E-265	13	3280-E-4841	31, 32
A-3202-Y-7929	9	3219-T-3322	12	3280-T-5350	11
A-3202-D-7934	9	3219-V-3766	20	3280-U-5351	10, 11
A-3202-E-7935	9	3219-G-3829	12	3280-L-5940	15
A-3202-G-7963	9	3219-S-4309	35, 36, 37, 55	3280-S-6649	24, 45
A-3202-H-7964	9	B-3219-S-4309	55	3280-T-6650	4
A-3202-X-8006	9	3219-Y-4471	36, 37, 55	3280-U-6989	36, 37, 55
A-3202-Z-8008	9	3219-K-4691	12	3280-E-8637	55
A-3202-A-8009	9	B-3219-K-4691	12	3286-C-263	20
A-3202-B-8010	9	3219-P-5034	55	3286-L-272	12
A-3202-C-8011	9	3219-R-5036	55, 56	3286-V-490	35, 36, 37
A-3202-D-8012	9	3219-N-5786	55	3286-A-547	12
A-3202-E-8013	9	3219-A-5799	55, 56	3286-Q-589	19
A-3202-F-8014	9	A-3236-X-1714	12	3299-A-5279	46
A-3202-H-8016	9	A-3236-Y-1715	12	L59-3800-N-456	39
A-3202-J-8018	9	A-3236-J-1934	12	L62-3800-N-456	39, 40, 43, 57, 58

NUMERICAL PARTS LIST

PART NUMBER	PAGE	PART NUMBER	PAGE	PART NUMBER	PAGE
L71-3800-N-456	39	750NYSM28-196	9	RSA-17006-53	36
L78-3800-N-456	40	750NYSM28-197	9	RSA-17006-77	37
A25-3800-M-689	40	750NYSM28-199	9	RSA-17006-95	36, 37
3866-J-816	18, 19	750NYSM28-200	9	RSA-17006-97	36
3902-B-210	18	850NYSM30-25	18	RSA-17006-101	37, 55
A-3902-B-210	18	850NYSM32-18	18	RSA-17006-102	37, 55
3902-D-212	18	950NYSM38-1	50	RSA-17006-103	35, 36, 37, 38, 55
A-3902-D-212	18	950NYSM38-20	50	RSA-17006-107	35, 36, 37, 55
A-3933-J-322	19	950NYSM38-21	50	RSA-17006-111	37, 38, 55
A-3933-A-417	19	CP58WB-DWT	9	RSA-17006-125	35, 36
3944-H-8	18	CP750N1	9	RSA-17006-127	55
3944-B-28	18	CP850N4	18	RSA-17006-128	55
382A	8	CP950N	50	RSA-17006-129	55
387	8	HM-218210	20	RSA-17205-3	20
592A	51	HM-218248	20	RSA-17205-8	20
594A	51	HM-804810	23	RSA-17205-9	20
39520	8	HM-804840	23	RSH-1540-227	12
39590	8	JHM-720210	38, 51	RSH-1540-245	12
52375	38	JHM-720249	38, 51	RSH-1540-393	12
52375	51	JLM-710910	8	S-166-2	5, 15
52400	51	JLM-710949C	8	S-265-2	24, 45
52618	51	JM-612910	8	S-266-2	4, 5, 47
52637	38, 51	JM-612949	8	S-1818-2	4
64450	20	K-2412	3, 16, 46	S-1822-2	16
64700	20	K-2416	45	S-2710-2	5
60450450	13	K-2614	4, 24	S-2712-2	5
69160478	4	K-2616	3, 24	S-2718-2	5
69310775	4	K-2618	23, 45, 46	S-2811-2	5
69420736	4	M-86610	3	S-2812-2	5
69420737	4	M-86649	3	S-2826-2	5
58WBYSM25-2	9	N-18-1	4, 16	S-7810S	5
58WBYSM28-121	9	N-39-1	3	S-11416-2	16
58WBYSM28-122	9	N-110-1	15	S-11422-2	16
58WBYSM28-191	9	N-214-1	23, 24, 46	S-21014A-2	4
58WBYSM28-192	9	N-312-1	23, 45	S-21016-2	4
58WBYSM28-195	9	N-410-1	16	S-21018-2	24
58WBYSM28-196	9	N-512-1	4, 24	S-21018A-2	46
58WBYSM28-200	9	NL-19-1	15	S-21022-2	4
58WBYSM28-201	9	NL-212-1	16	S-21026-2	4
58WBYSM28-202	9	PW-243	25	S-21216A-2	3
58WBYSM28-203	9	QP6-1655-449	56	S-21217-2	16
58WBYSM28-204	9	QP6-1655-450	56	S-21218-2	24
58WBYSM28-205	9	QP6-1655-452	56	S-21218A-2	3, 46
58WBYSM28-205	9	QP6-1655-451	56	S-21422A-2	45
58WBYSM28-206	9	QP6-1656-5	55	SC-1021-1	15
58WBYSM28-225	9	QP6-1656-6	55	SN-919-1	16
58WBYSM28-230	9	QP6-1656-529	56	WA-16	5, 15
750NYSM28-110	9	QP6-1656-530	56	WA-18	4, 16
750NYSM28-111	9	QP6-1656-781	56	WA-110	15
750NYSM28-112	9	QP6-1656-782	56		
750NYSM28-146	9	RDH-17006-23	35		
750NYSM28-147	9	RDH-17006-24	35		
750NYSM28-149	9	RSA1540-373	12		
750NYSM28-150	9	RSA1540-374	12		
750NYSM28-151	9	RSA1540-397	12		
750NYSM28-152	9	RSA1540-398	12		
750NYSM28-153	9	RSA1540-405	12		
750NYSM28-154	9	RSA1540-406	12		
750NYSM28-176	9	RSA-17006-23	36		
750NYSM28-177	9	RSA-17006-24	36		

ARVINMERITOR AFTERMARKET PARTS WARRANTY

We warrant all new parts for one year from date of shipment to the buyer against defective material or workmanship (but not against damage caused by accident, abuse or improper installation, maintenance or repair) when such parts are used on vehicles the specifications of which have been approved by our Engineering Department.

As the exclusive remedy under this warranty, we will, at our option, repair or replace such parts free of charge, or take back the nonconforming parts and refund the monies paid by buyer for such parts, if found on examination by us to be nonconforming and if any necessary return charges are prepaid.

If it is necessary to return any parts under this warranty, buyer agrees not to make any deduction on account thereof from remittances on current accounts while claims are in the process of disposition. Any expense incurred without our consent for repairs or replacement will not be allowed.

THIS WARRANTY IS EXPRESSLY IN LIEU OF ALL OTHER WARRANTIES OR CONDITIONS, EXPRESS, IMPLIED OR STATUTORY, INCLUDING ANY IMPLIED WARRANTY OF MERCHANTABILITY OR FITNESS FOR PARTICULAR PURPOSE. IN NO EVENT SHALL SELLER BE LIABLE FOR INCIDENTAL OR CONSEQUENTIAL DAMAGES OF ANY NATURE.

Only genuine ArvinMeritor replacement parts are covered by this aftermarket parts warranty.

Information contained in this publication was in effect at the time the publication was approved for printing and is subject to change without notice or liability. ArvinMeritor reserves the right to revise the information presented or discontinue the production of parts at any time.

ArvinMeritorTM

Commercial Vehicle Aftermarket

Meritor Heavy Vehicle Systems, LLC

7975 Dixie Highway
Florence, KY 41042 USA
888-725-9355
www.arvinmeritor.com

© Copyright 2002
ArvinMeritor, Inc

Printed in U.S.A.

Revised 12/2002
PB-9151(07503)